

MODEL: 03199GBRZ  
**ASSEMBLY INSTRUCTIONS**  
**READ AND SAVE THESE INSTRUCTIONS**

READ INSTRUCTIONS ALL THE WAY THROUGH PRIOR TO ASSEMBLY.

THIS PIER MOUNT SHOULD TAKE APPROXIMATELY 5 MINUTES TO ASSEMBLE.

MAKE SURE ALL PARTS ARE FIRMLY TIGHTENED.

**UNPACK THE PIER MOUNT**

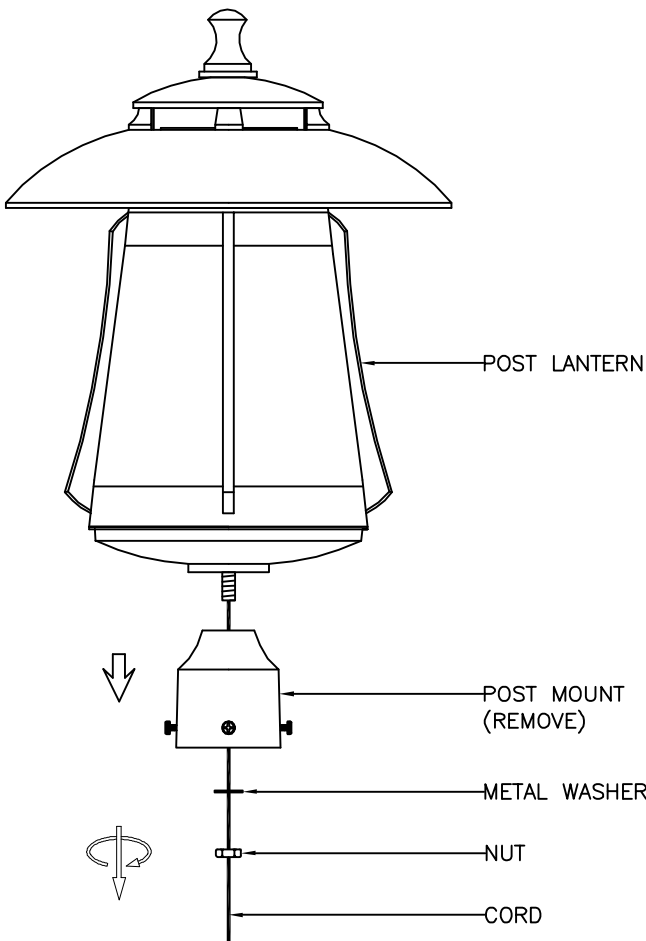
YOU SHOULD HAVE RECEIVED THE FOLLOWING PARTS: BASE, (2) MOUNTING SCREWS AND (2) PLASTIC ANCHORS. TO PROTECT THE FINISH, PLACE ALL PARTS ON A SOFT SURFACE.

**TOOLS**

A DRILL WILL BE REQUIRED FOR DECK OR HARD SURFACE INSTALLATION.

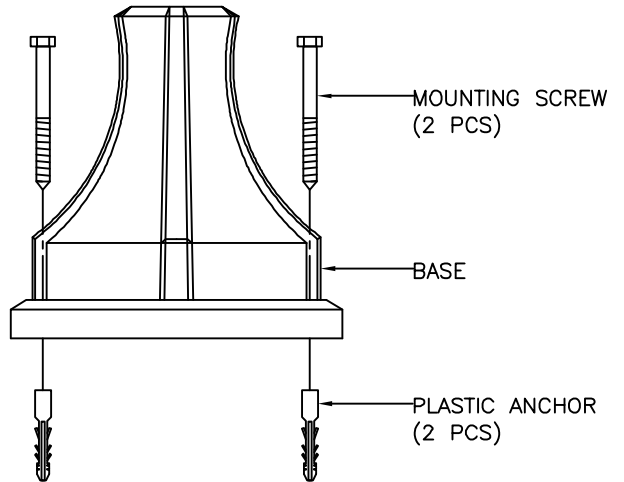
**ASSEMBLY INSTRUCTIONS**

1. REMOVE POST MOUNT FROM YOUR POST LANTERN BY UNSCREWING THE NUT ON BOTTOM OF YOUR POST LANTERN.

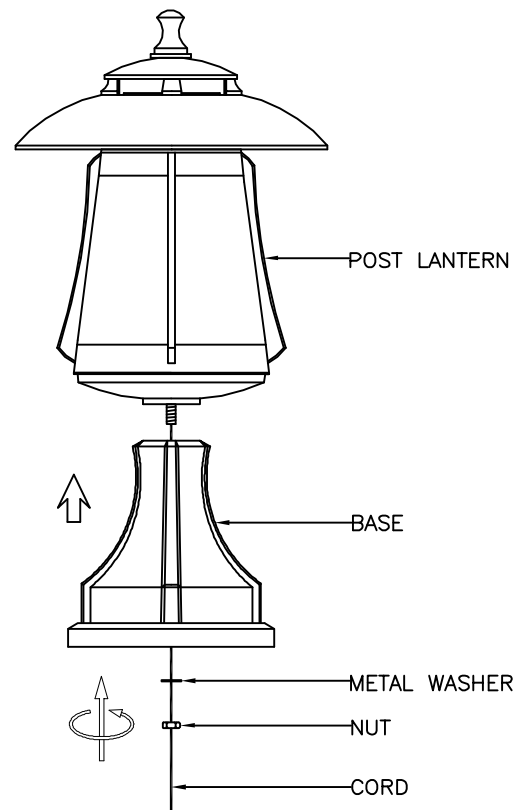


2. POSITION THE BASE ON THE SURFACE AT DESIRED LOCATION AND MARK THE PLACE FOR THE PLASTIC ANCHORS TO BE INSTALLED.

3. DRILL PILOT HOLES ON THE MARKED SPOTS AND INSERT PLASTIC ANCHORS. (IF FASTENING WITH MOUNTING SCREWS TO STUD, SKIP THIS STEP).



4. SECURE THE POST LANTERN TO BASE WITH METAL WASHER AND NUT.



MODEL: 03199GBRZ

## ASSEMBLY INSTRUCTIONS

READ AND SAVE THESE INSTRUCTIONS

5. ATTACH THE WHITE LANTERN WIRE TO THE WHITE SUPPLY WIRE USING A WIRE CONNECTOR.

6. ATTACH THE BLACK LANTERN WIRE TO THE BLACK SUPPLY WIRE WITH A WIRE CONNECTOR.

7. ATTACH THE LANTERN GROUND WIRE TO THE SUPPLY GROUND WIRE WITH A WIRE CONNECTOR.

8. LINE UP HOLES IN BASE WITH THE PLASTIC ANCHORS OR THE SPOTS THAT YOU MARKED ON STUD AND SECURE WITH (2) MOUNTING SCREWS.

