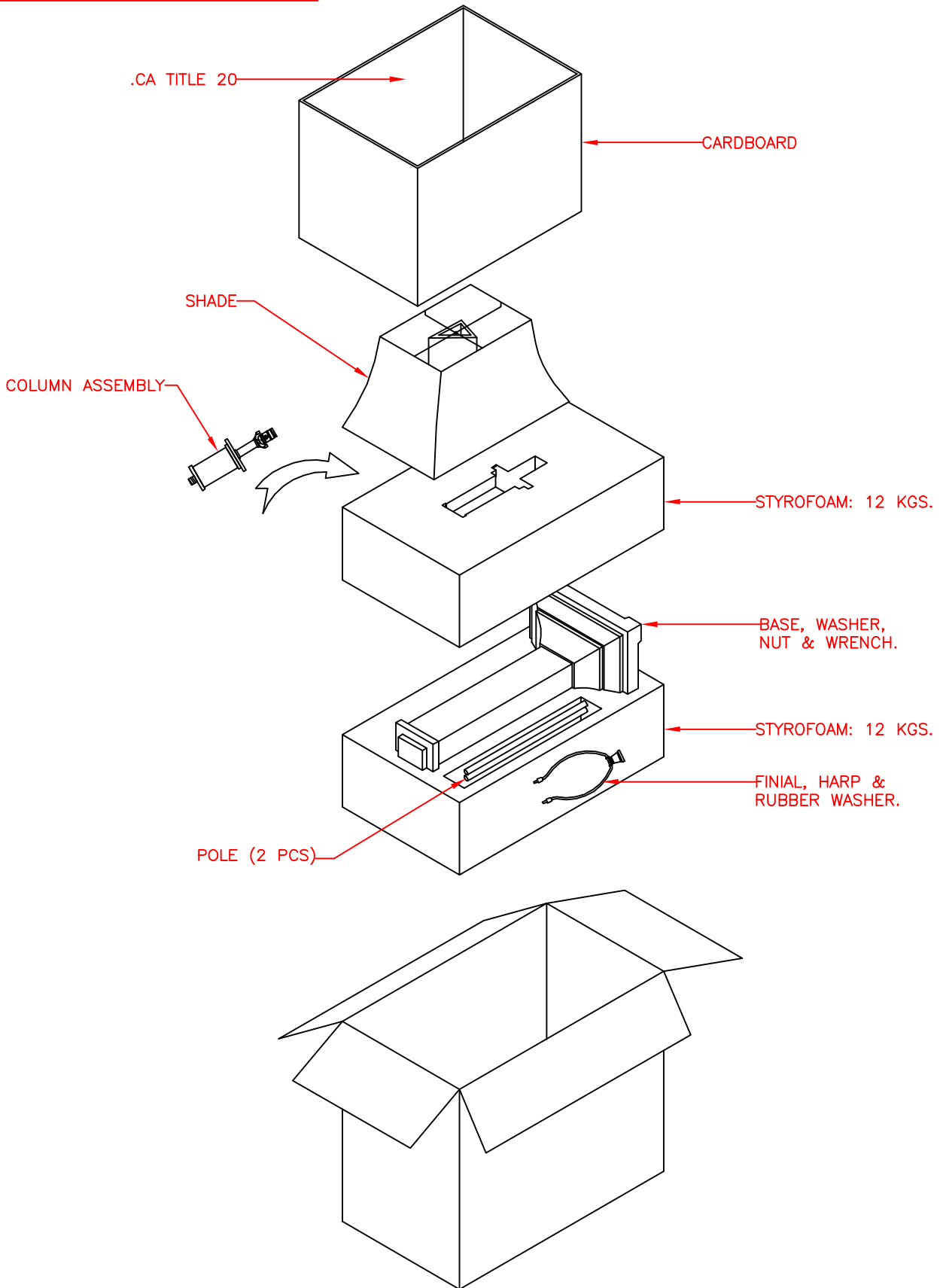
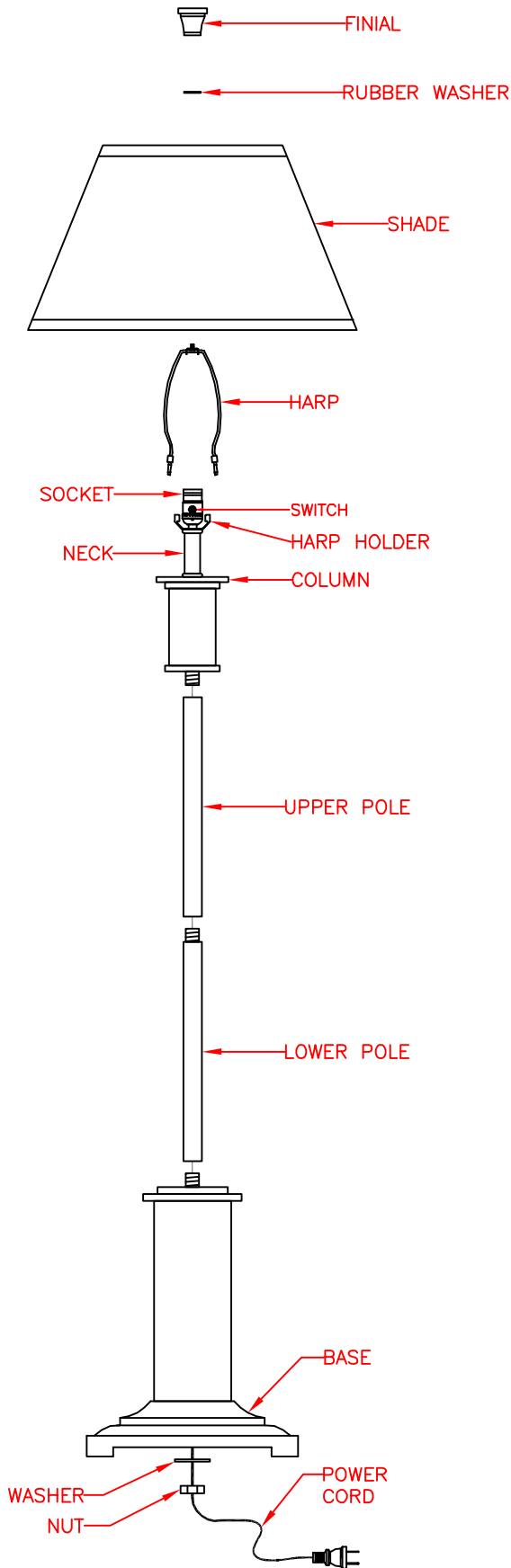


MODEL: 31204

PACKING DIAGRAM





## ASSEMBLY INSTRUCTIONS

### READ AND SAVE THESE INSTRUCTIONS

READ INSTRUCTIONS ALL THE WAY THROUGH PRIOR TO ASSEMBLY.

THIS LAMP SHOULD TAKE APPROXIMATELY 5 MINUTES TO ASSEMBLE.

MAKE SURE ALL PARTS ARE FIRMLY TIGHTENED.

### UNPACK THE LAMP

YOU SHOULD HAVE RECEIVED THE FOLLOWING PARTS IN THE PACKAGE: FINIAL, RUBBER WASHER, SHADE, HARP, COLUMN ASSEMBLY, (2) POLES, BASE, WASHER, NUT AND WRENCH. TO PROTECT THE FINISH, PLACE ALL PARTS ON A SOFT SURFACE.

### ASSEMBLE THE LAMP

- CAREFULLY ORGANIZE AND PLACE ALL PARTS ON A SMOOTH, FLAT SURFACE. LINE UP ALL OF THE PARTS ACCORDING TO THE ASSEMBLY DIAGRAM.
- SCREW THE UPPER POLE TO BOTTOM OF COLUMN ASSEMBLY.
- SCREW THE LOWER POLE TO UPPER POLE.
- SCREW THE UPPER ASSEMBLY TO BASE. DO NOT SCREW ALL THE WAY, MAKING SURE THE COLUMN AND THE BASE ARE HARMONIOUS.
- TIGHTEN THESE POLES AND BASE FROM BOTTOM OF BASE WITH THE WASHER AND NUT. (WRENCH INCLUDED)
- SQUEEZE LEGS OF THE HARP TOGETHER AND INSERT THE TWO ENDS BETWEEN THE PRONGS OF THE HARP HOLDER.
- PLACE SHADE ONTO HARP, THEN SECURE WITH RUBBER WASHER AND FINIAL.
- INSTALL A 100 WATT MAXIMUM MEDIUM BASE 3-WAY TYPE "A" BULB (NOT INCLUDED) INTO SOCKET.
- PLUG THE POWER CORD INTO AN OUTLET AND TURN ON AT SWITCH.

### BULB REPLACEMENT

- BEFORE REPLACING THE BULB, BE SURE THAT THE SHADE AND BULB ARE COOL AND LAMP IS UNPLUGGED.
- UNSCREW EXISTING BULB FROM SOCKET AND REPLACE WITH A NEW BULB. PLUG POWER SUPPLY CORD BACK INTO OUTLET.

### TROUBLE-SHOOTING

- IF YOUR LAMP DOES NOT LIGHT, CHECK PLUG AT THE OUTLET. MAKE SURE THE PLUG IS FULLY AND PROPERLY INSERTED INTO THE POWER OUTLET.
- IF LAMP STILL DOES NOT LIGHT, UNPLUG FROM OUTLET. CHECK THE BULB FOR A BROKEN FILAMENT. REPLACE BULB IF NECESSARY, PLUG IN LAMP AND TURN IT ON.
- IF THE LAMP STILL DOES NOT LIGHT, PLEASE CONTACT YOUR DISTRIBUTOR OR PLACE OF PURCHASE.

### IMPORTANT SAFETY INSTRUCTIONS

THIS PORTABLE LAMP HAS A POLARIZED PLUG (ONE BLADE IS WIDER THAN THE OTHER) AS A FEATURE TO REDUCE THE RISK OF ELECTRIC SHOCK. THIS PLUG WILL FIT IN A POLARIZED OUTLET ONLY ONE WAY. IF THE PLUG DOES NOT FIT FULLY IN THE OUTLET, REVERSE THE PLUG. IF IT STILL DOES NOT FIT, CONTACT A QUALIFIED ELECTRICIAN. NEVER USE WITH AN EXTENSION CORD UNLESS PLUG CAN BE FULLY INSERTED. DO NOT ALTER THE PLUG.

