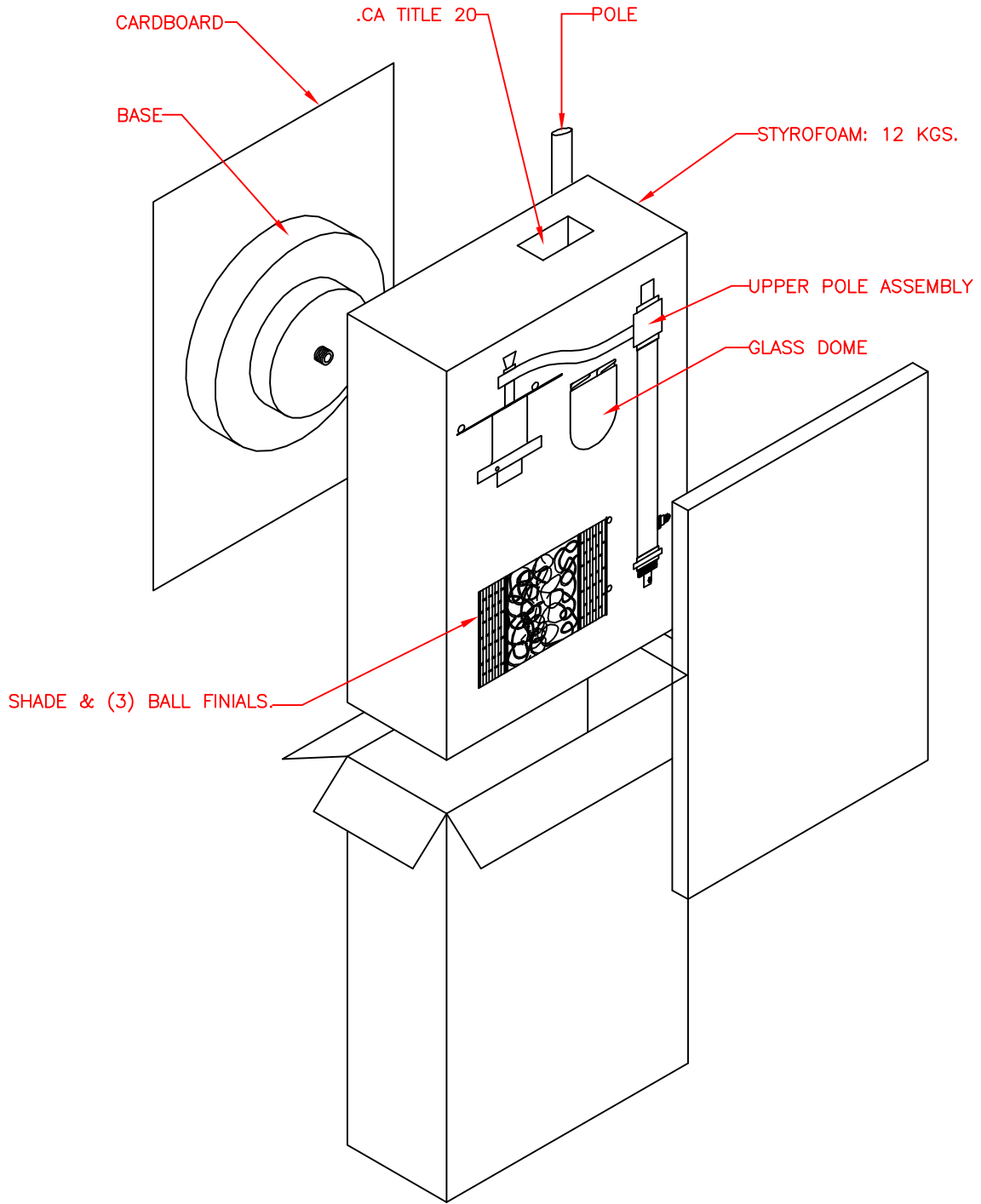


MODEL: 32143ORB  
PACKING DIAGRAM



# ASSEMBLY INSTRUCTIONS

## READ AND SAVE THESE INSTRUCTIONS

READ INSTRUCTIONS ALL THE WAY THROUGH PRIOR TO ASSEMBLY.

THIS LAMP SHOULD TAKE APPROXIMATELY 10 MINUTES TO ASSEMBLE.

MAKE SURE ALL PARTS ARE FIRMLY TIGHTENED.

**WARNING:** WHEN USING FOR OUTDOOR USE, FOLLOW IMPORTANT SAFETY INSTRUCTIONS LISTED AT BOTTOM OF PAGE TO REDUCE THE RISK OF FIRE, ELECTRIC SHOCK, AND PERSONAL INJURY.

### UNPACK THE LAMP

YOU SHOULD HAVE RECEIVED THE FOLLOWING PARTS IN THE PACKAGE: SHADE, GLASS DOME, (3) BALL FINIALS, UPPER POLE ASSEMBLY, LOWER POLE AND BASE. TO PROTECT THE FINISH, PLACE ALL PARTS ON A SOFT SURFACE.

### ASSEMBLE THE LAMP

1. SCREW LOWER POLE TO TOP OF BASE.
2. SCREW UPPER POLE ASSEMBLY TO TOP OF LOWER POLE.
3. PRIOR TO INSTALLING THE BULB, PLEASE INSPECT SOCKET FOR SILICA PACKET. IF PACKET IS PRESENT, REMOVE AND THROW AWAY. DO NOT EXPOSE TO CHILDREN AND PETS.
4. INSTALL A 100 WATT MAXIMUM MEDIUM BASE TYPE "A" BULB (NOT INCLUDED) INTO SOCKET.
5. SCREW GLASS DOME TO CUP.
6. SECURE SHADE TO METAL PLATE WITH (3) BALL FINIALS.
7. PLUG THE POWER CORD INTO AN OUTLET AND TURN ON AT SWITCH.

### BULB REPLACEMENT

1. BEFORE REPLACING THE BULB, BE SURE THAT THE GLASS DOME AND BULB ARE COOL AND LAMP IS UNPLUGGED.
2. REMOVE THE SHADE, UNSCREW GLASS DOME AND EXISTING BULB FROM SOCKET AND REPLACE WITH A NEW BULB THEN RECOVER THE GLASS DOME AND SHADE. PLUG POWER SUPPLY CORD BACK INTO OUTLET.

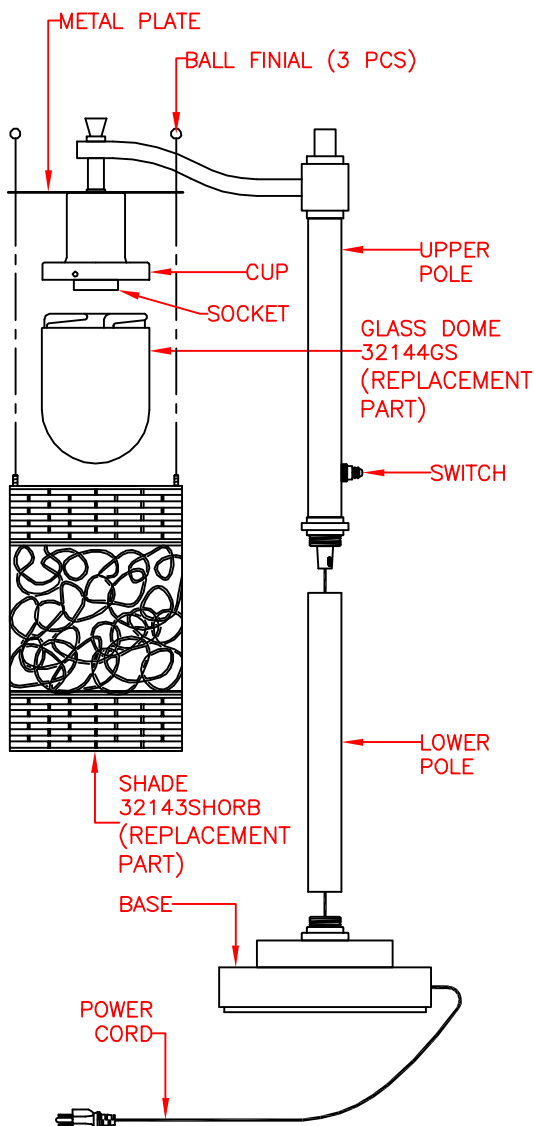
### TROUBLE SHOOTING

1. IF YOUR LAMP DOES NOT LIGHT, CHECK PLUG AT THE OUTLET. MAKE SURE THE PLUG IS FULLY AND PROPERLY INSERTED INTO THE POWER OUTLET.
2. IF LAMP STILL DOES NOT LIGHT, UNPLUG FROM OUTLET. CHECK THE BULB FOR A BROKEN FILAMENT. REPLACE BULB IF NECESSARY, PLUG IN LAMP AND TURN IT ON.
3. IF THE LAMP STILL DOES NOT LIGHT, PLEASE CONTACT YOUR DISTRIBUTOR OR PLACE OF PURCHASE.

### IMPORTANT SAFETY INSTRUCTIONS

1. USE ONLY THREE-WIRE OUTDOOR EXTENSION CORDS THAT HAVE THREE-PRONG GROUNDING PLUGS AND GROUNDING RECEPTACLES THAT ACCEPT THE APPLIANCE'S PLUG.
2. GROUND FAULT CIRCUIT INTERRUPTER (GFCI) PROTECTION IS TO BE PROVIDED ON THE CIRCUIT OR OUTLET TO BE USED FOR THE WET LOCATION PORTABLE LUMINAIRE. RECEPTACLES ARE AVAILABLE HAVING BUILT-IN GFCI PROTECTION AND ARE ABLE TO BE USED FOR THIS MEASURE FOR THIS MEASURE OR SAFETY.
3. USE ONLY WITH AN EXTENSION CORD FOR OUTDOOR USE, SUCH AS AN EXTENSION CORD OF CORD TYPE SW, SW-A, SOW, SOW-A, STW, STW-A, STOW, STOW-A, SJW, SJW-A, SJOW, SJOW-A, SJWT, SJWT-A, OR SJTOW, SJTOW-A.

**NOTE:** WE RECOMMEND BRINGING IN YOUR LAMP DURING WINTER.



AVAILABLE PARTS ARE:  
32143SHORB (SHADE)  
32144GS (GLASS DOME)

