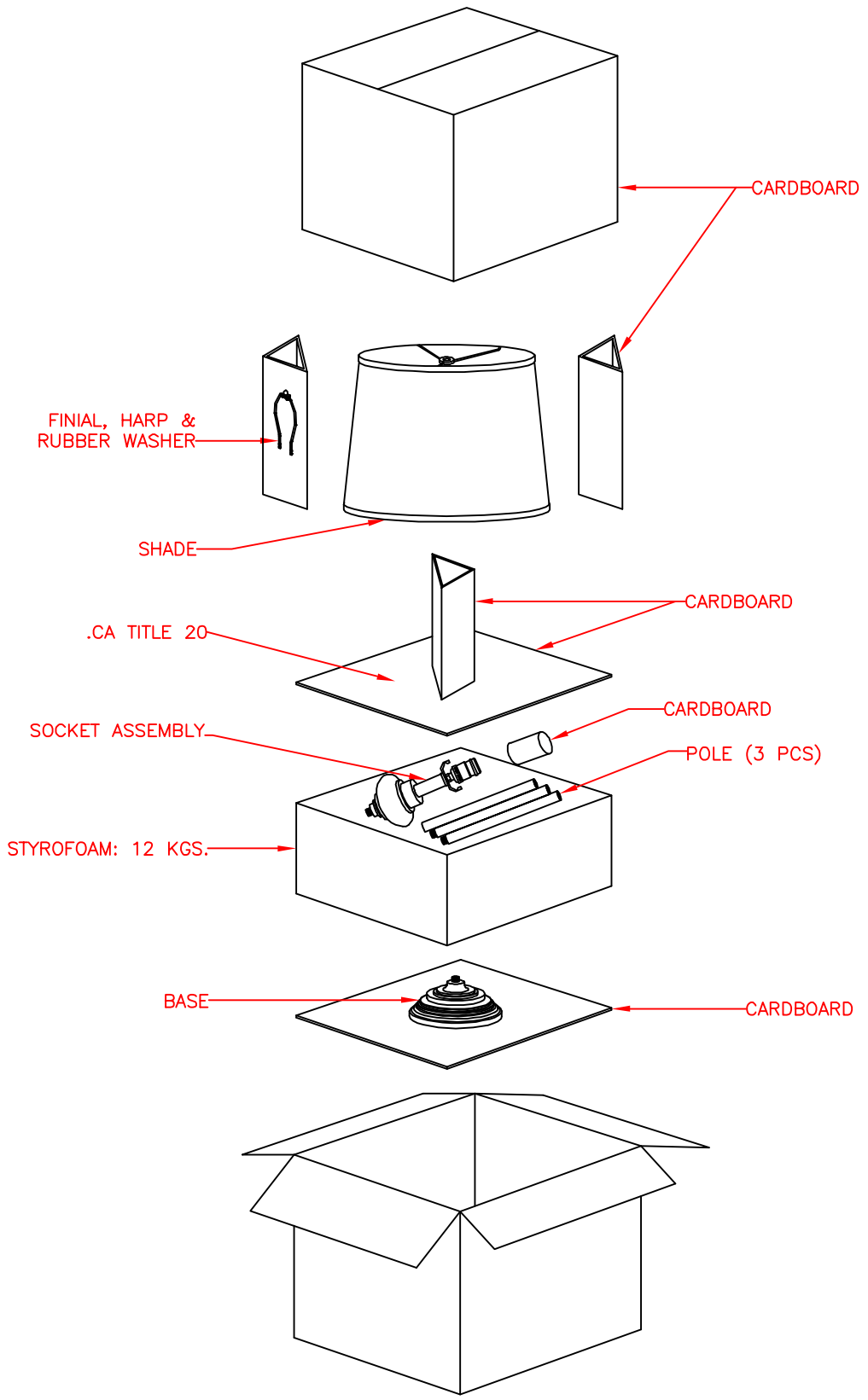
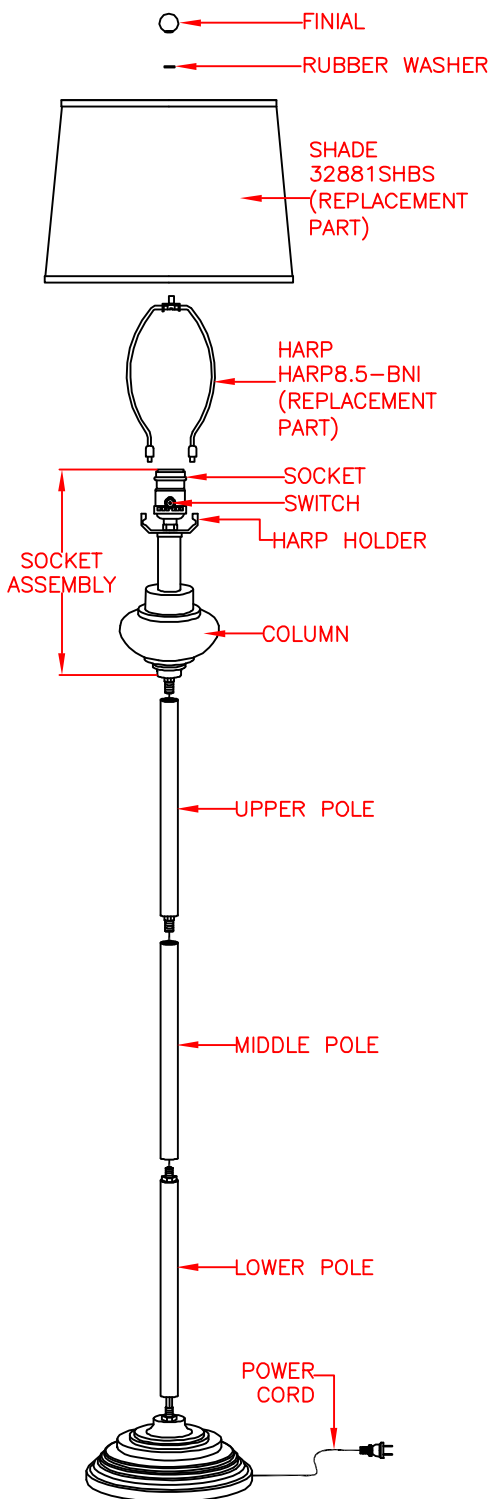


MODEL: 32881BS

PACKING DIAGRAM





AVAILABLE PARTS ARE:  
 32881SHBS (SHADE)  
 HARP8.5-BNI (HARP)

## ASSEMBLY INSTRUCTIONS

### READ AND SAVE THESE INSTRUCTIONS

READ INSTRUCTIONS ALL THE WAY THROUGH PRIOR TO ASSEMBLY.

THIS LAMP SHOULD TAKE APPROXIMATELY 10 MINUTES TO ASSEMBLE.

MAKE SURE ALL PARTS ARE FIRMLY TIGHTENED.

### UNPACK THE LAMP

YOU SHOULD HAVE RECEIVED THE FOLLOWING PARTS IN THE PACKAGE: FINIAL, RUBBER WASHER, SHADE, HARP, SOCKET ASSEMBLY, (3) POLES AND BASE. TO PROTECT THE FINISH, PLACE ALL PARTS ON A SOFT SURFACE.

### ASSEMBLE THE LAMP

- CAREFULLY ORGANIZE AND PLACE ALL PARTS ON A SMOOTH, FLAT SURFACE. LINE UP ALL OF THE PARTS ACCORDING TO THE ASSEMBLY DIAGRAM.
- SCREW THE LOWER POLE TO TOP OF THE BASE.
- SCREW THE MIDDLE POLE TO TOP OF THE LOWER POLE.
- SCREW THE UPPER POLE TO TOP OF THE MIDDLE POLE.
- PULL THE EXCESS POWER CORD THROUGH THE BASE.
- SCREW SOCKET ASSEMBLY TO TOP OF THE UPPER POLE.
- SQUEEZE LEGS OF THE HARP TOGETHER AND INSERT THE TWO ENDS BETWEEN THE PRONGS OF THE HARP HOLDER.
- PLACE SHADE ONTO HARP, THEN SECURE WITH RUBBER WASHER AND FINIAL.
- PRIOR TO INSTALLING THE BULB, PLEASE INSPECT SOCKET FOR SILICA PACKET. IF PACKET IS PRESENT, REMOVE AND THROW AWAY. DO NOT EXPOSE TO CHILDREN AND PETS.
- INSTALL A 100 WATT MAXIMUM MEDIUM BASE TYPE "A" 4-WAY BULB (NOT INCLUDED) INTO SOCKET. TO ASSURE YOUR 4-WAY SWITCH IS FUNCTIONING PROPERLY, MAKE SURE A 4-WAY BULB IS BEING USED AND THAT THE BULB IS FULLY SCREWED INTO THE BASE OF THE SOCKET. THIS MAY REQUIRE AN EXTRA TURN OF THE BULB.
- PLUG THE POWER CORD INTO AN OUTLET AND TURN ON AT SWITCH.

### BULB REPLACEMENT

- BEFORE REPLACING THE BULB, BE SURE THAT THE SHADE AND BULB ARE COOL AND LAMP IS UNPLUGGED.
- UNSCREW EXISTING BULB FROM SOCKET AND REPLACE WITH A NEW BULB. PLUG POWER SUPPLY CORD BACK INTO OUTLET.

### TROUBLE SHOOTING

- IF YOUR LAMP DOES NOT LIGHT, CHECK PLUG AT THE OUTLET. MAKE SURE THE PLUG IS FULLY AND PROPERLY INSERTED INTO THE POWER OUTLET.
- IF LAMP STILL DOES NOT LIGHT, UNPLUG FROM OUTLET. CHECK THE BULB FOR A BROKEN FILAMENT. REPLACE BULB IF NECESSARY, PLUG IN LAMP AND TURN IT ON.
- IF THE LAMP STILL DOES NOT LIGHT, PLEASE CONTACT YOUR DISTRIBUTOR OR PLACE OF PURCHASE.

### IMPORTANT SAFETY INSTRUCTIONS

THIS PORTABLE LAMP HAS A POLARIZED PLUG (ONE BLADE IS WIDER THAN THE OTHER) AS A FEATURE TO REDUCE THE RISK OF ELECTRIC SHOCK. THIS PLUG WILL FIT IN A POLARIZED OUTLET ONLY ONE WAY. IF THE PLUG DOES NOT FIT FULLY IN THE OUTLET, REVERSE THE PLUG. IF IT STILL DOES NOT FIT, CONTACT A QUALIFIED ELECTRICIAN. NEVER USE WITH AN EXTENSION CORD UNLESS PLUG CAN BE FULLY INSERTED. DO NOT ALTER THE PLUG.

