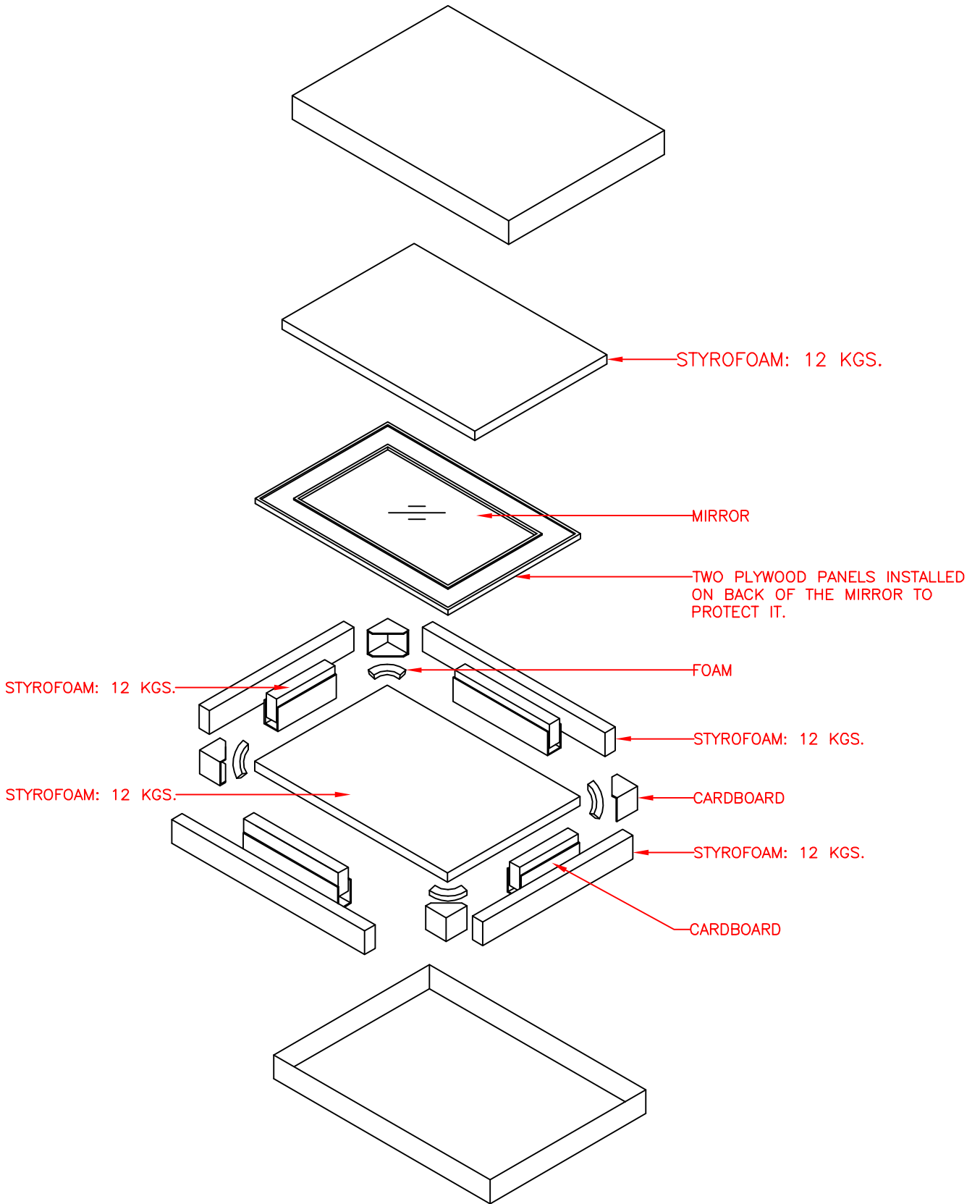
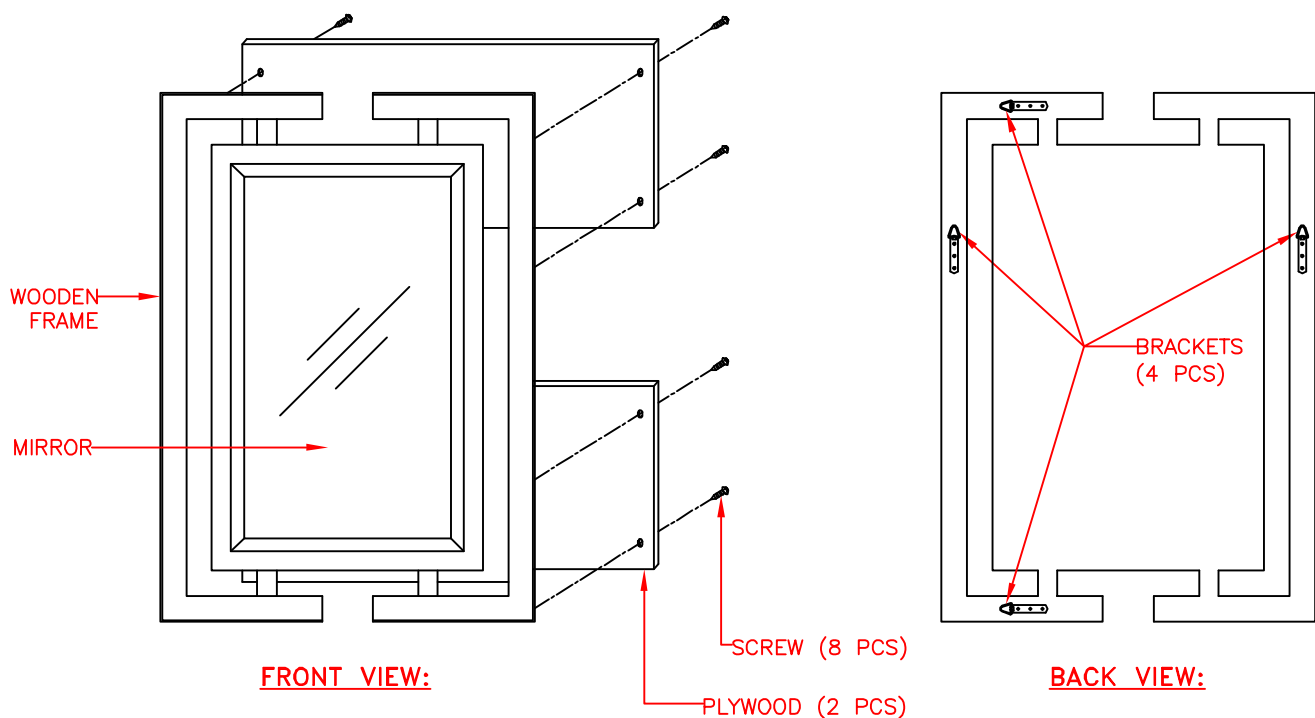


MODEL: 60002

PACKING DIAGRAM





\* THIS MIRROR CAN BE MOUNTED VERTICALLY OR HORIZONTALLY.

## ASSEMBLY INSTRUCTIONS

READ AND SAVE THESE INSTRUCTIONS

### UNPACK THE MIRROR

YOU SHOULD HAVE RECEIVED A MIRROR IN THE PACKAGE, TO PROTECT THE FINISH, PLACE THE MIRROR ON A SOFT SURFACE.

### MOUNT THE MIRROR

1. REMOVE (2) PLYWOOD FROM MIRROR BY UNSCREWING (8) SCREWS ON BACK OF THE PLYWOOD WITH A SCREWDRIVER.
2. INSTALL WALL ANCHORS IN WALL AND HANG MIRROR SECURELY ON BRACKETS.

### NOTE:

\* THIS MIRROR CAN BE MOUNTED VERTICALLY OR HORIZONTALLY.

\*\* HARDWARE NOT INCLUDED. CONTACT YOUR LOCAL HARDWARE PROFESSIONAL TO CHOOSE AN ATTACHMENT MECHANISM APPROPRIATE FOR YOUR WALL.