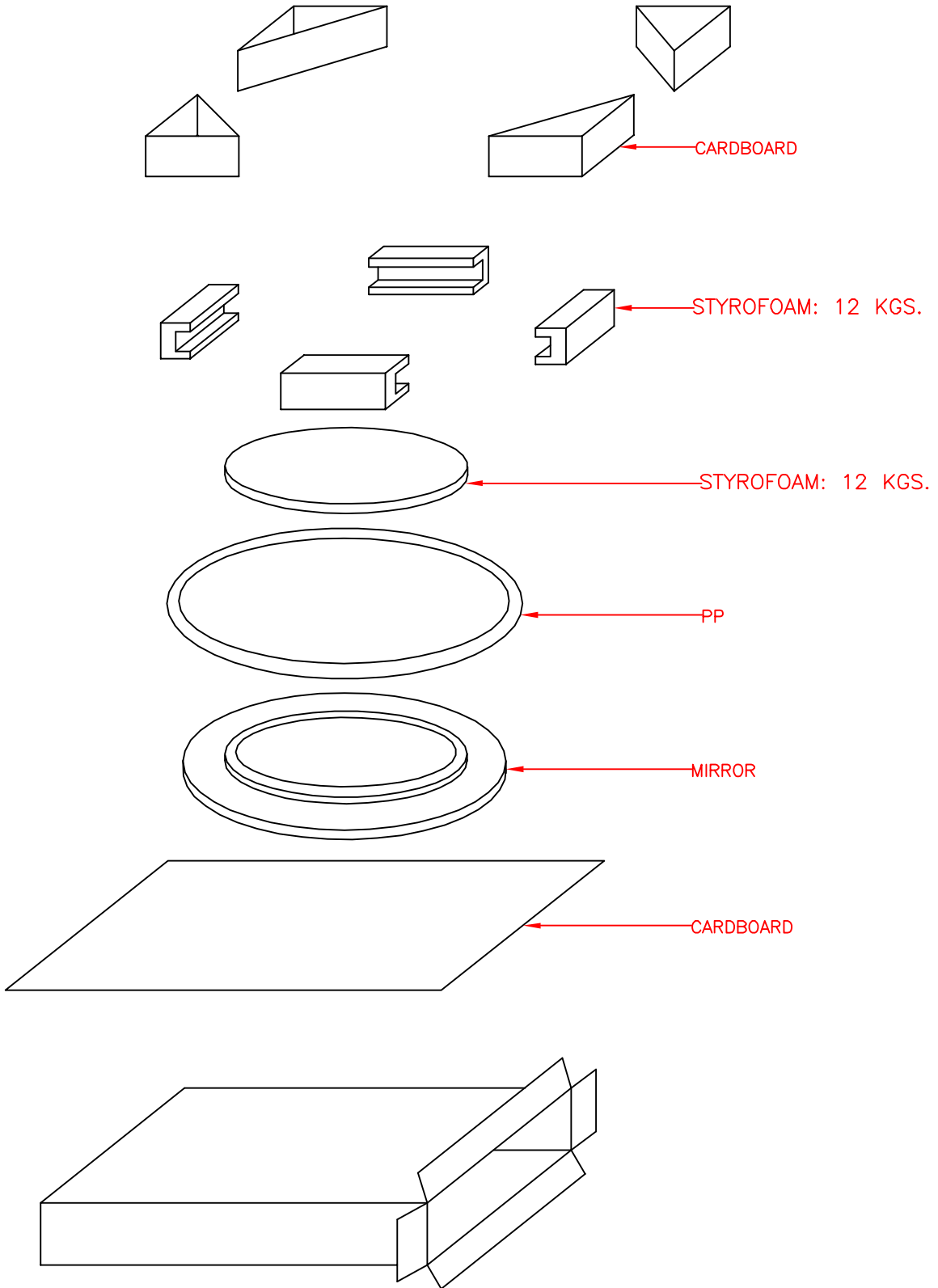
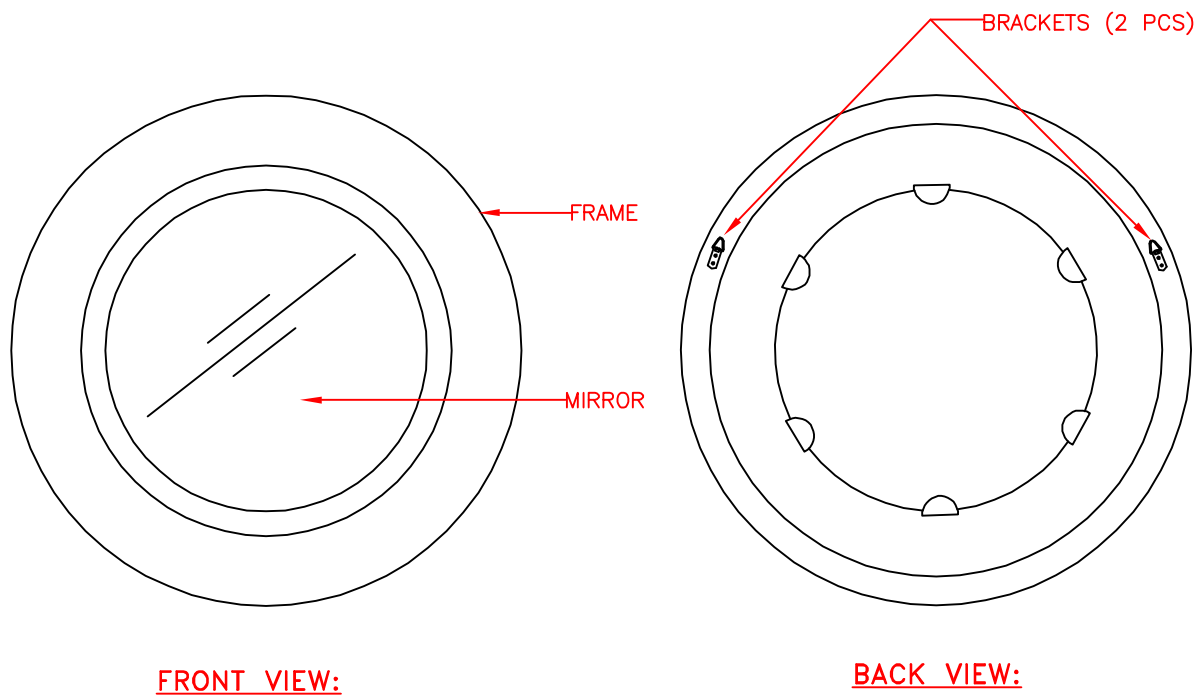


MODEL: 60208

PACKING DIAGRAM





**\*\* THIS MIRROR CAN BE MOUNTED VERTICALLY OR HORIZONTALLY.**

## **ASSEMBLY INSTRUCTIONS**

**READ AND SAVE THESE INSTRUCTIONS**

### **UNPACK THE MIRROR**

YOU SHOULD HAVE RECEIVED A MIRROR IN THE PACKAGE, TO PROTECT THE FINISH, PLACE THE MIRROR ON A SOFT SURFACE.

### **MOUNT THE MIRROR**

1. INSTALL WALL ANCHORS IN WALL AND HANG MIRROR SECURELY ON BRACKETS.

### **NOTE:**

\* THIS MIRROR CAN BE MOUNTED VERTICALLY OR HORIZONTALLY.

\*\* HARDWARE NOT INCLUDED. CONTACT YOUR LOCAL HARDWARE PROFESSIONAL TO CHOOSE AN ATTACHMENT MECHANISM APPROPRIATE FOR YOUR WALL.