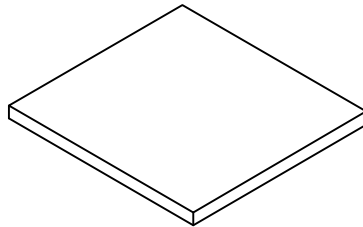
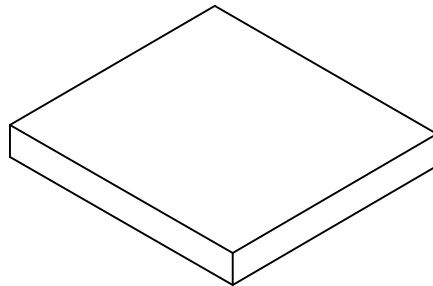
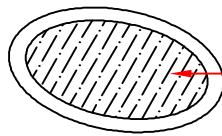


MODEL:60220

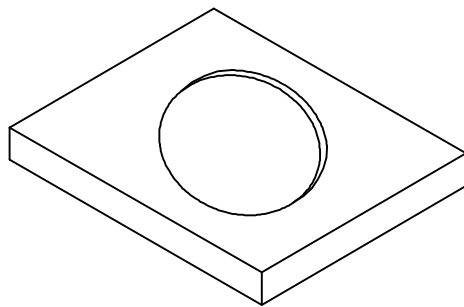
PACKING DIAGRAM



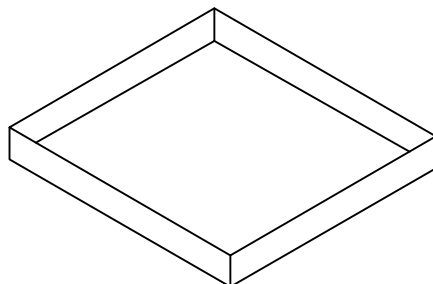
← STYROFOAM: 12 KGS.



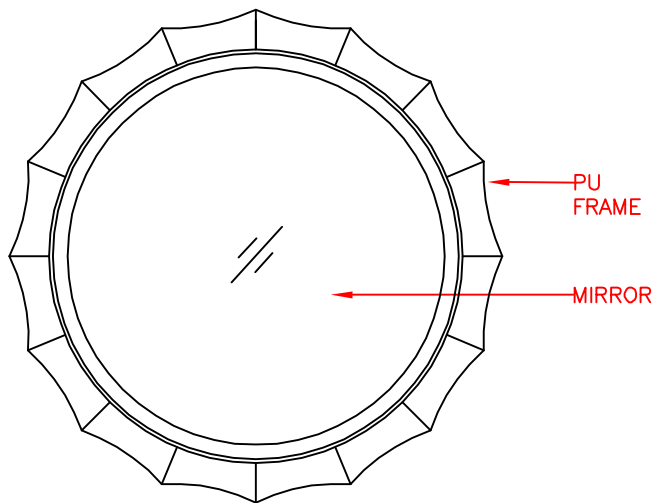
← MIRROR



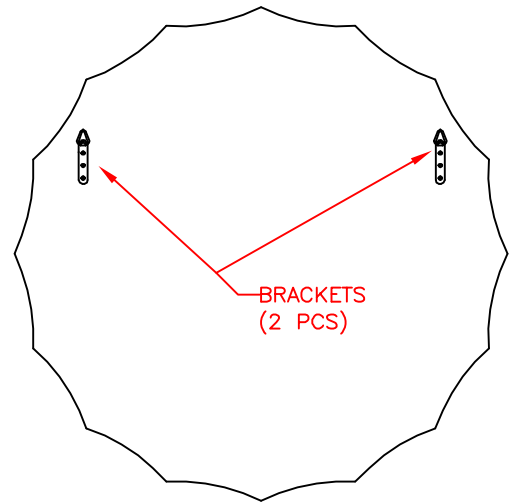
← STYROFOAM: 12 KGS.



← CARDBOARD



FRONT VIEW:



BACK VIEW:

## ASSEMBLY INSTRUCTIONS

READ AND SAVE THESE INSTRUCTIONS

### UNPACK THE MIRROR

YOU SHOULD HAVE RECEIVED A MIRROR IN THE PACKAGE, TO PROTECT THE FINISH, PLACE THE MIRROR ON A SOFT SURFACE.

### MOUNT THE MIRROR

1. INSTALL WALL ANCHORS IN WALL AND HANG MIRROR SECURELY ON BRACKETS.

**NOTE:** HARDWARE NOT INCLUDED. CONTACT YOUR LOCAL HARDWARE PROFESSIONAL TO CHOOSE AN ATTACHMENT MECHANISM APPROPRIATE FOR YOUR WALL.