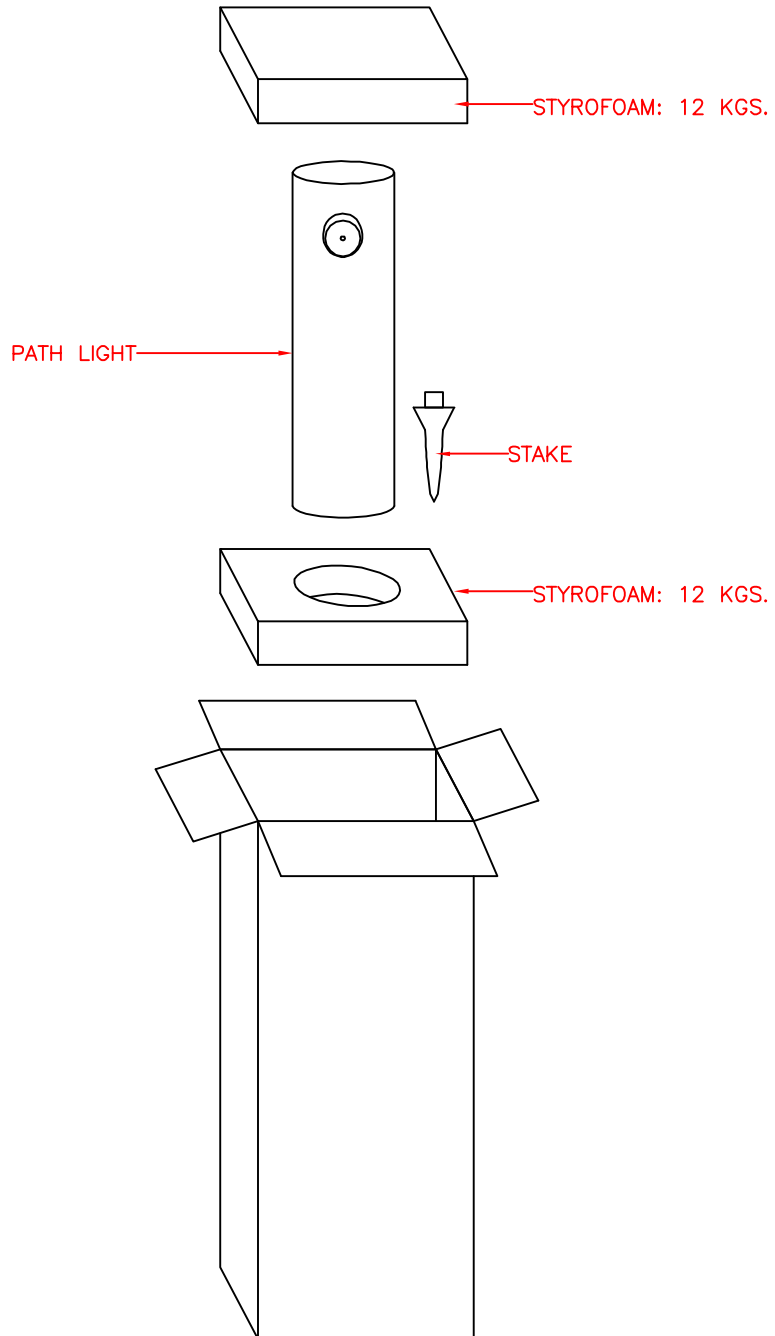


MODEL: 60631

PACKING DIAGRAM



MODEL: 60631

ASSEMBLY INSTRUCTIONS

READ AND SAVE THESE INSTRUCTIONS

READ INSTRUCTIONS ALL THE WAY THROUGH PRIOR TO ASSEMBLY.

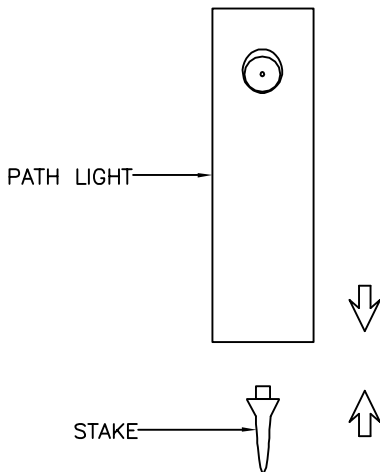
ASSEMBLY TIME: 2 MINUTES.

UNPACK THE SOLAR LED LIGHT STRING

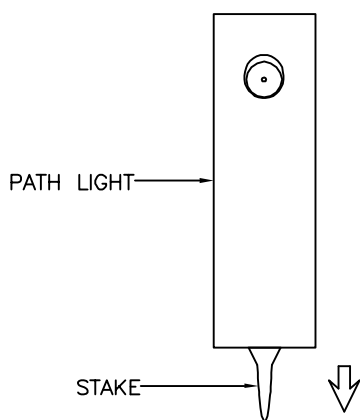
THE FOLLOWING PARTS SHOULD BE INCLUDED IN YOUR SOLAR LIGHT KITS; PATH LIGHT, SOLAR PANEL, BRACKET AND STAKE.

PANEL ASSEMBLY AND INSTALLATION

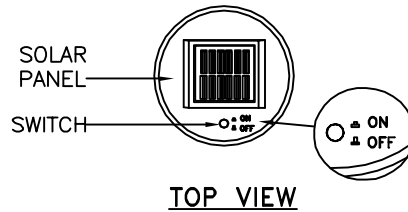
1.) JOIN THE PATH LIGHT AND STAKE TOGETHER AS SHOWN.



2.) INSERT THE STAKE INTO THE GROUND IN A SUNNY AREA, MAKE SURE SOLAR PANEL IS NOT IN SHADOW AND RECEIVING DIRECT SUNLIGHT.

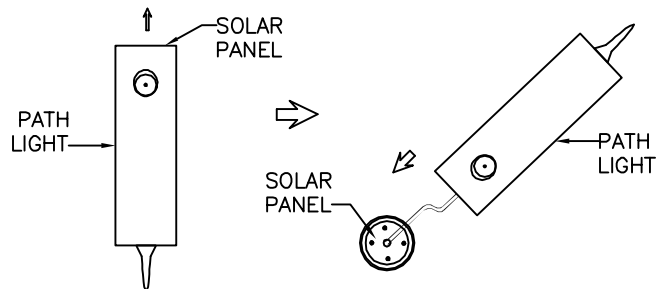


3.) PUSH THE SWITCH TO "ON" POSITION FOR CHARGING, ONCE CHARGED FOR AROUND 6.2 HOURS, YOUR NEW SOLAR LED LIGHT STRING IS READY FOR USE.

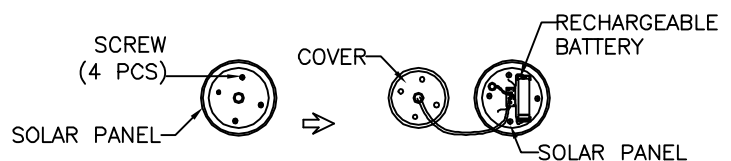


IF NECESSARY, PLEASE SEE THE FOLLOWING STEPS TO REPLACE THE RECHARGEABLE BATTERY.

1.) PICK UP THE SOLAR PANEL AND LEAN THE PATH LIGHT TO REMOVE THE SOLAR PANEL FROM PATH LIGHT.



2.) REMOVE (4) SCREWS FROM BACK OF SOLAR PANEL WITH SCREWDRIVER (NOT INCLUDED).



NOTE:

- 1). FULL CHARGE TIME: 6.2 HOURS.
- 2). WORKING TIME AFTER FULL CHARGE: 7 HOURS.
- 3). THE SERVICE LIFE OF BATTERY: 500 TIMES.

MODEL: 60631

ASSEMBLY INSTRUCTIONS

READ AND SAVE THESE INSTRUCTIONS

READ INSTRUCTIONS ALL THE WAY THROUGH
PRIOR TO ASSEMBLY.

TROUBLE SHOOTING

1.) IF YOUR PATH LIGHT ARE NOT FUNCTIONING PROPERLY OR LOSING POWER MID-CYCLE, THEN ENSURE THE SOLAR PANEL IS POSITIONED IN DIRECT SUNLIGHT. YOUR SOLAR PANEL WILL NEED TO COLLECT ABOUT 6.2 HOURS OF SUNLIGHT TO FUNCTION THROUGHOUT A FULL CYCLE.

2.) ALTHOUGH THE BATTERY INSIDE YOUR SERIOUSLY SOLAR PANEL IS DESIGNED FOR MAXIMUM LONGEVITY, OVERTIME PERFORMANCE WILL DROP – REPLACING THE BATTERY WILL CORRECT THIS ISSUE.

IMPORTANT NOTES:

1.) THE PATH LIGHTS WILL TURN ON AUTOMATICALLY EVERY NIGHT IF THE SWITCH IS IN "ON" POSITION. LASTS 6.2 HOURS AFTER FULL CHARGE.

2.) ALTHOUGH THERE MAY BE SOME INITIAL CHARGE IN BATTERY, WE RECOMMEND FULLY CHARGING IT BEFORE FIRST USE. TURN ON THE LED LIGHT AND LEAVE THE SOLAR PANEL IN GOOD SUNLIGHT FOR 6.2 HOURS TO ENSURE THE BATTERY IS FULLY CHARGED.

3.) TO MAXIMIZE SOLAR ENERGY INTAKE, THE SOLAR PANEL MAY BE CLEANED PERIODICALLY WITH A SOFT RAG AND WATER, DO NOT USE CHEMICAL SOLVENTS.