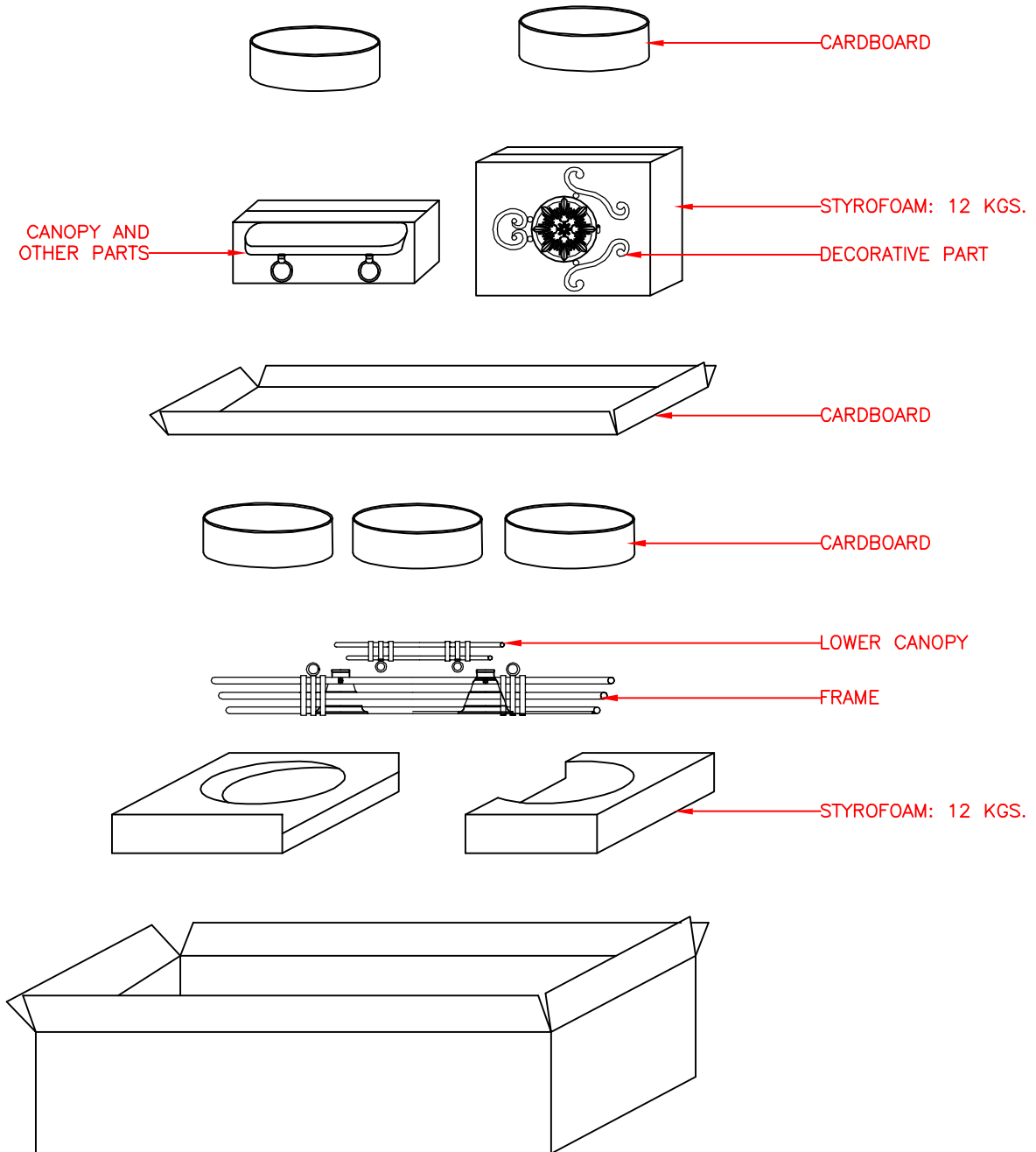


MODEL: 90304WW  
PACKING DIAGRAM



MODEL: 90304WW

## ASSEMBLY INSTRUCTIONS

READ AND SAVE THESE INSTRUCTIONS

### TOOLS

YOU WILL NEED THE FOLLOWING TOOLS AND EQUIPMENT: LADDER, SCREWDRIVER, ADJUSTABLE WRENCH, WIRE CUTTERS, PLIERS.

### UNPACK THE FIXTURE

YOU SHOULD HAVE RECEIVED THE FOLLOWING PARTS IN THE PACKAGE: CANOPY, CHAINS, (4) ARMS, FRAME, DECORATIVE PART, (2) METAL WASHERS, NUT, FONT, FINIAL AND (8) LOWER HOOKS. TO PROTECT THE FINISH, PLACE ALL PARTS ON A SOFT SURFACE.

### MOUNTING HARDWARE PACKAGE:

CROSSBAR, MOUNTING PLATE, GREEN GROUND SCREW, (3) WIRE CONNECTORS, (4) 8-32 x 1-1/4" SCREWS, NIPPLE, (2) PLASTIC ANCHORS, (2) WOOD SCREWS AND (2) BALL FINIALS.

### FIXTURE ASSEMBLY

1. PLACE METAL WASHER THEN DECORATIVE PART IN FRAME THEN SECURE WITH THE OTHER METAL WASHER AND NUT.
2. RAISE FONT TO END OF NIPPLE AND SECURE WITH FINIAL.
3. ATTACH ARMS TO LOOPS ON LOWER CANOPY AS SHOWN.
4. ATTACH THE OTHER END OF ARMS TO LOOPS ON FRAME AS SHOWN.

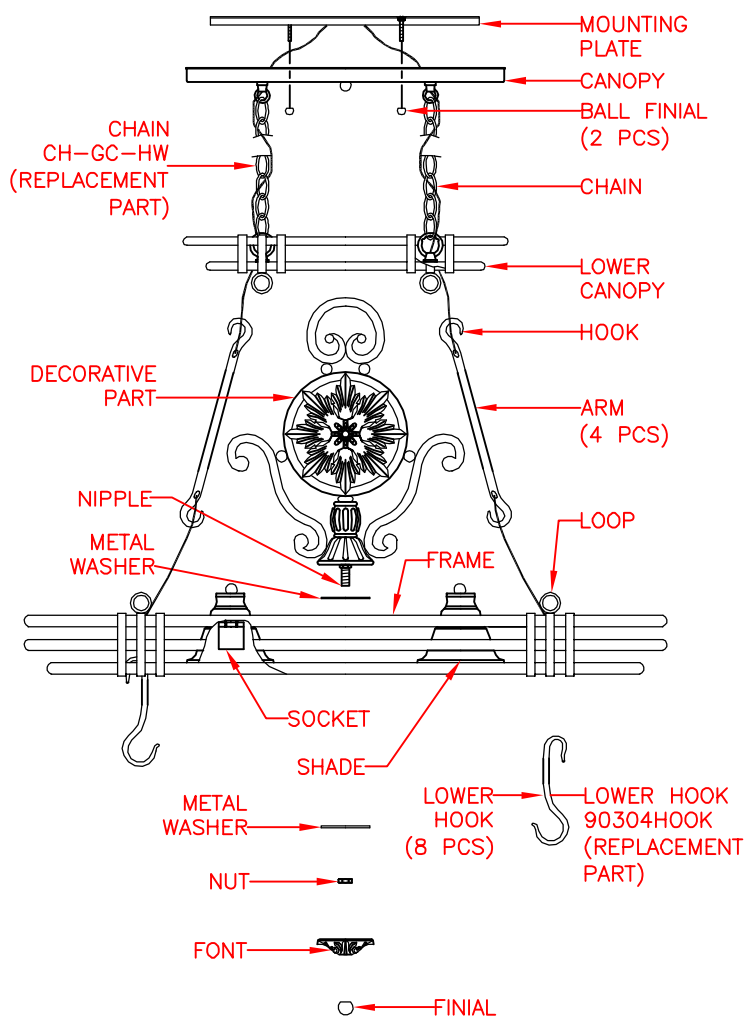
### COMPLETE INSTALLATION INSTRUCTIONS ON REVERSE SIDE BEFORE PROCEEDING.

### FINAL ASSEMBLY

1. ATTACH LOWER HOOKS TO BOTTOM OF FRAME AS YOU WANT.
2. PRIOR TO INSTALLING THE BULBS, PLEASE INSPECT SOCKETS FOR SILICA PACKET. IF PACKET IS PRESENT, REMOVE AND THROW AWAY. DO NOT EXPOSE TO CHILDREN AND PETS.
3. INSTALL A 120V, 60HZ, 50 WATT MAX. TYPE "R-20" BULB (NOT INCLUDED) INTO EACH SOCKET.
4. RESTORE POWER. YOUR NEW FIXTURE IS NOW READY TO USE.

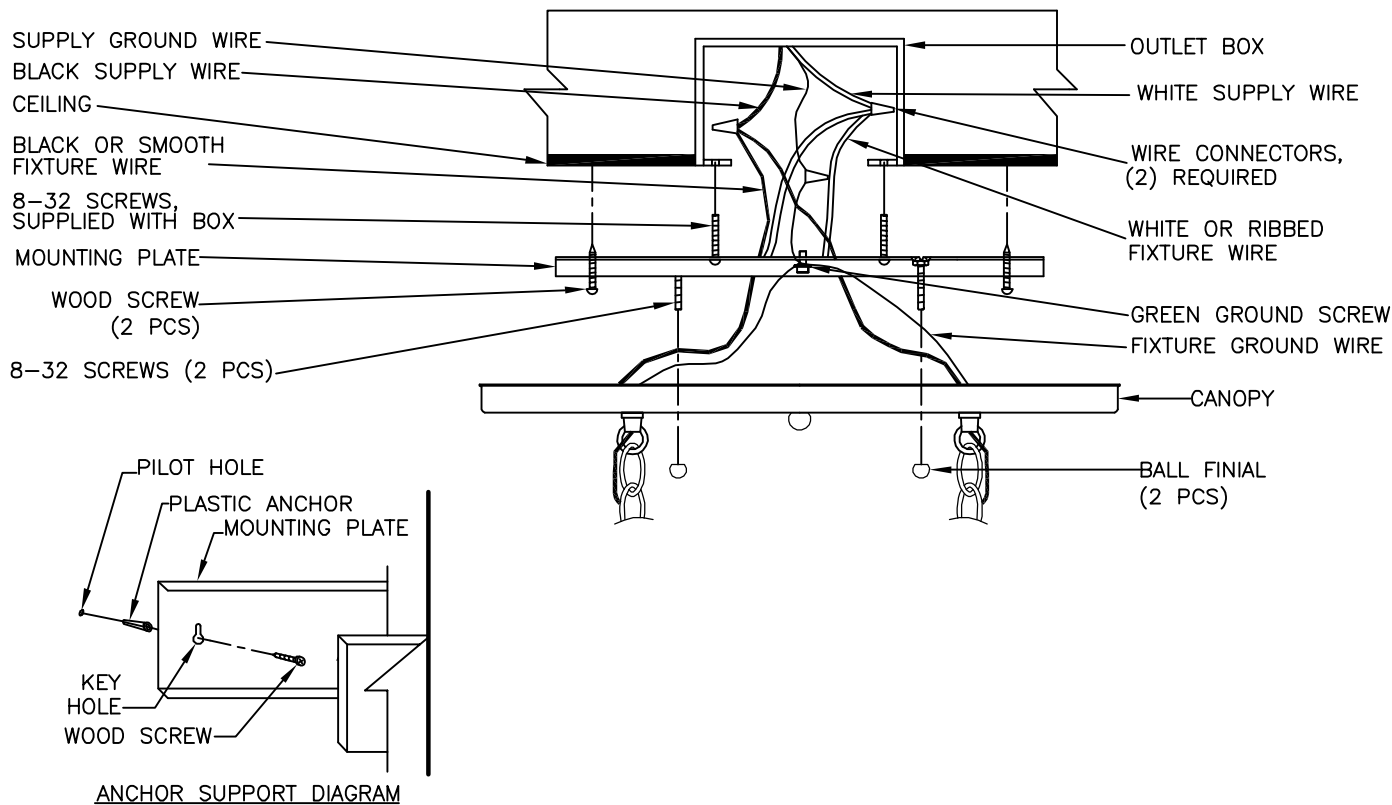
### CLEANING THE FIXTURE

CLEAN THE FIXTURE WITH A SOFT, DRY CLOTH. DO NOT USE ANY CLEANERS WITH CHEMICALS, SOLVENTS, OR HARSH ABRASIVES.



AVAILABLE PARTS ARE:  
CH-GC-HW (CHAIN)  
90304HOOK (LOWER HOOK)





## INSTALLATION INSTRUCTIONS

### READ AND SAVE THESE INSTRUCTIONS

#### CAUTION

TO AVOID POSSIBLE ELECTRIC SHOCK, MAKE SURE THE ELECTRICITY IS SHUT OFF AT THE MAIN PANEL. IF YOU ARE REPLACING AN EXISTING FIXTURE, FIRST TURN THE FIXTURE OFF. NEXT, TURN THE WALL SWITCH OFF. FINALLY, GO TO THE MAIN FUSE OR BREAKER BOX IN YOUR HOME. TURN THE FUSE OR BREAKER TO THE OFF POSITION. SOME TYPES OF FUSES MUST BE UNSCREWED TO SHUT OFF THE POWER.

\* ALL WIRING MUST BE DONE IN ACCORDANCE WITH NATIONAL AND LOCAL ELECTRIC CODES.

\*\* IF YOU DO NOT HAVE ELECTRICAL WIRING EXPERIENCE, HAVE YOUR FIXTURE INSTALLED BY A QUALIFIED LICENSED ELECTRICIAN.

\*\*\*THIS FIXTURE IS TO BE MOUNTED TO A UL LISTED OUTLET BOX CAPABLE OF SUPPORTING THE WEIGHT OF THIS FIXTURE. THE OUTLET BOX MUST BE DIRECTLY SUPPORTED BY THE BUILDING STRUCTURE.

#### COMPLETE FIXTURE ASSEMBLY INSTRUCTIONS FIRST (SEE REVERSE).

1. LIFT MOUNTING PLATE TO OUTLET BOX SO THAT THE SCREW HOLES IN OUTLET BOX LINE UP WITH SLOTS ON MOUNTING PLATE. MARK SPOTS AT OUTER KEYHOLES FOR THE PLASTIC ANCHORS TO BE INSTALLED.
2. DRILL PILOT HOLES ON SPOTS MARKED AND INSERT PLASTIC ANCHORS.
3. SCREW SCREWS INTO MOUNTING PLATE SO THAT THEY LINE UP WITH HOLES IN CANOPY, ATTACH THE MOUNTING PLATE TO THE CEILING OUTLET BOX USING THE TWO SCREWS PROVIDED WITH THE OUTLET BOX. (NOTE: IF THE SCREWS WITH THE OUTLET BOX ARE TOO SHORT, USE THE (2) 8-32 x 1-1/4" SCREWS PROVIDED IN THE MOUNTING HARDWARE PACKAGE).
4. ATTACH ENDS OF MOUNTING PLATE TO PLASTIC ANCHORS WITH (2) WOOD SCREWS PROVIDED.
5. CONNECT THE WHITE OR RIBBED FIXTURE WIRE TO THE WHITE SUPPLY WIRE IN THE OUTLET BOX USING THE TWIST-ON WIRE CONNECTORS PROVIDED. CONNECT THE BLACK OR SMOOTH FIXTURE WIRE TO THE BLACK SUPPLY WIRE IN THE SAME MANNER. INSTALL THE FIXTURE GROUND WIRE UNDER THE GREEN GROUND SCREW ON THE CROSSBAR THEN CONNECT THE FIXTURE GROUND WIRE TO THE SUPPLY GROUND WIRE IN THE OUTLET BOX USING THE TWIST-ON WIRE CONNECTOR PROVIDED.
6. TUCK THE WIRES CAREFULLY INSIDE THE OUTLET BOX. SPREAD THE ELECTRICAL SPLICES SO THAT THE BLACK WIRES ARE ON ONE SIDE OF THE OUTLET BOX AND THE WHITE WIRES ARE ON THE OTHER SIDE.
7. RAISE THE FIXTURE TO THE CEILING AND SECURE IN PLACE WITH (2) BALL FINIALS.
8. SEE REVERSE FOR FINAL ASSEMBLY.