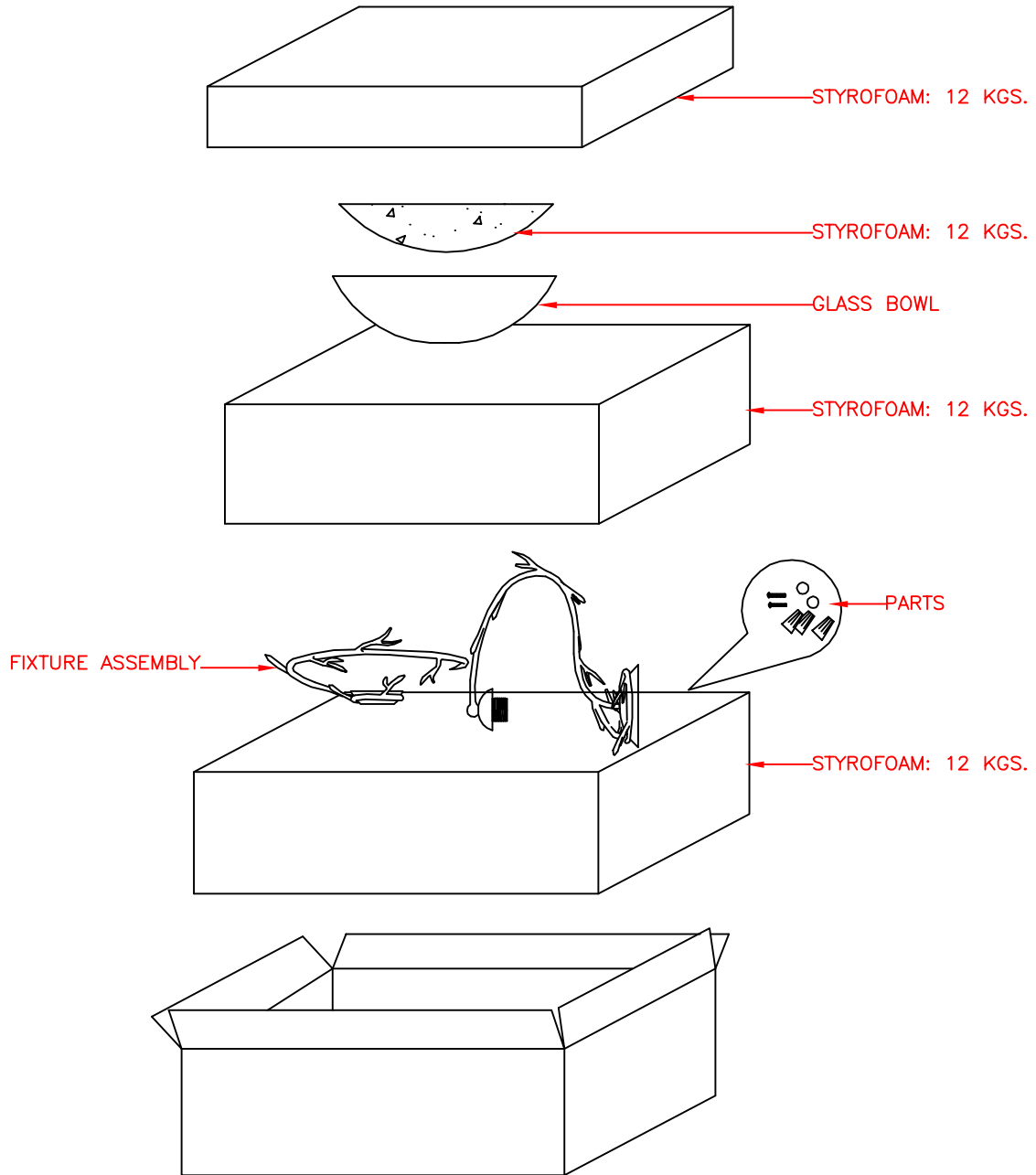
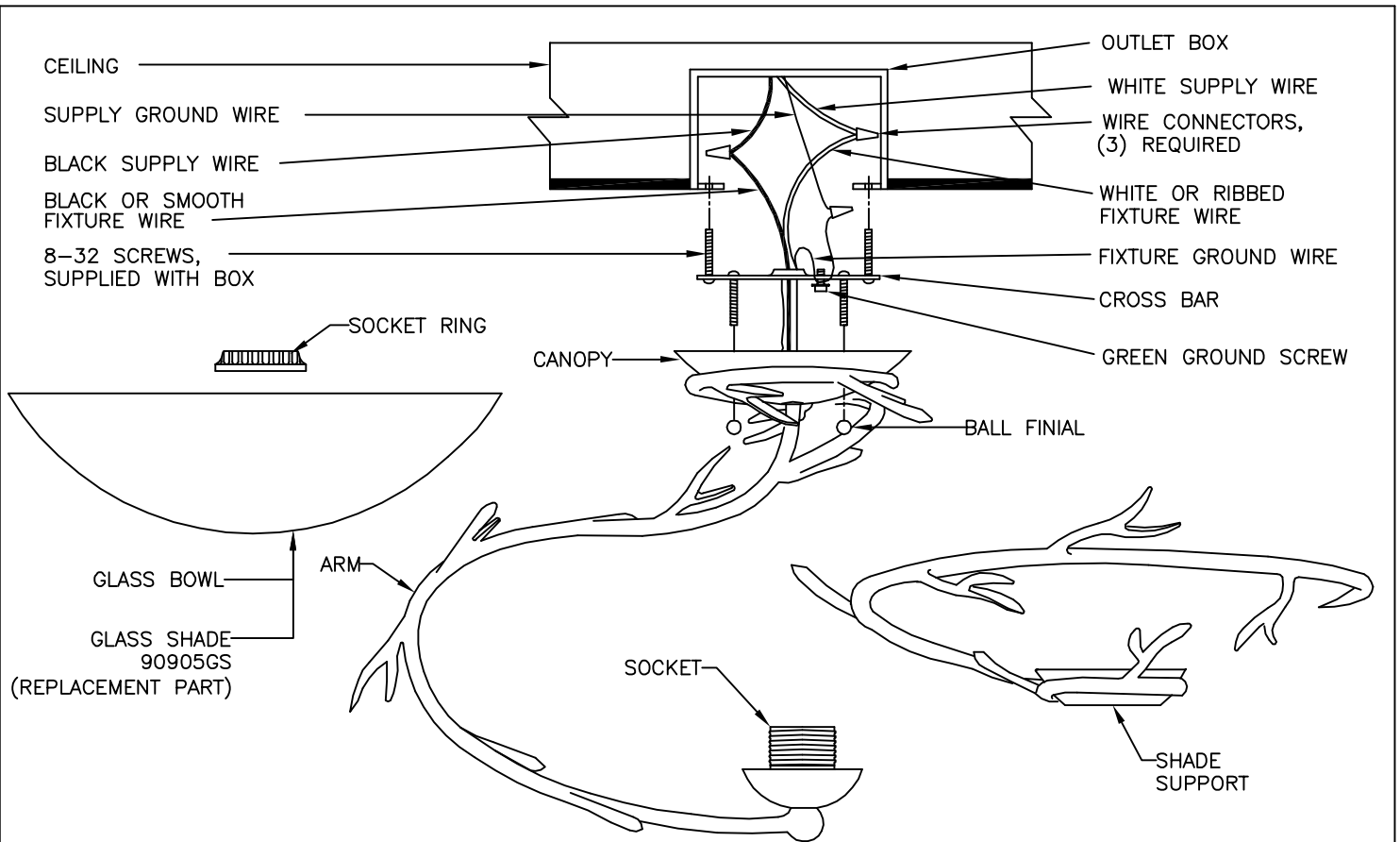


MODEL: 90905BRZ  
PACKING DIAGRAM





## INSTALLATION INSTRUCTIONS

### READ AND SAVE THESE INSTRUCTIONS

AVAILABLE PART IS:  
90905GS (GLASS SHADE)

**CAUTION:** TO AVOID POSSIBLE ELECTRIC SHOCK, MAKE SURE THE ELECTRICITY IS SHUT OFF AT THE MAIN PANEL. IF YOU ARE REPLACING AN EXISTING FIXTURE, FIRST TURN THE FIXTURE OFF. NEXT, TURN THE WALL SWITCH OFF. FINALLY, GO TO THE MAIN FUSE OR BREAKER BOX IN YOUR HOME. TURN THE FUSE OR BREAKER TO THE OFF POSITION. SOME TYPES OF FUSES MUST BE UNSCREWED TO SHUT OFF THE POWER.

\* ALL WIRING MUST BE DONE IN ACCORDANCE WITH NATIONAL AND LOCAL ELECTRIC CODES.

\*\* IF YOU DO NOT HAVE ELECTRICAL WIRING EXPERIENCE, HAVE YOUR FIXTURE INSTALLED BY A QUALIFIED LICENSED ELECTRICIAN.

\*\*\* THIS FIXTURE IS TO BE MOUNTED TO A UL LISTED OUTLET BOX CAPABLE OF SUPPORTING THE WEIGHT OF THIS FIXTURE. THE OUTLET BOX MUST BE DIRECTLY SUPPORTED BY THE BUILDING STRUCTURE.

**TOOLS:** YOU WILL NEED THE FOLLOWING TOOLS OR EQUIPMENT: LADDER, SCREWDRIVER, PLIERS, ADJUSTABLE WRENCH.

### UNPACK THE FIXTURE

TO PROTECT THE FINISH, PLACE ALL PARTS ON A SOFT SURFACE. YOU SHOULD HAVE RECEIVED THE FOLLOWING: CANOPY, FIXTURE ASSEMBLY, GLASS BOWL, SOCKET RING.

HARDWARE PACK: CROSS BAR, (4) 8-32 x 1 1/4" SCREWS, (3) WIRE CONNECTORS, GREEN GROUND SCREW, NUT, (2) BALL FINIALS.

### INSTALL THE FIXTURE

1. INSERT SCREWS INTO CROSSBAR TO LINE UP WITH HOLES IN CANOPY. ATTACH CROSSBAR TO OUTLET BOX USING TWO SCREWS PROVIDED WITH THE OUTLET BOX. (NOTE: IF THE SCREWS WITH THE OUTLET BOX ARE TOO SHORT, USE THE (2) 8-32 x 1 1/4" SCREWS PROVIDED IN THE MOUNTING HARDWARE PACKAGE).
2. CONNECT THE WHITE OR RIBBED FIXTURE WIRE TO THE WHITE SUPPLY WIRE IN THE OUTLET BOX USING THE TWIST-ON WIRE CONNECTOR PROVIDED. CONNECT THE BLACK OR SMOOTH FIXTURE WIRE TO THE BLACK SUPPLY WIRE IN THE SAME MANNER. INSTALL THE FIXTURE GROUND WIRE UNDER THE GREEN GROUND SCREW ON THE CROSS BAR THEN CONNECT THE FIXTURE GROUND WIRE TO THE SUPPLY GROUND WIRE IN THE OUTLET BOX USING THE TWIST-ON WIRE CONNECTOR PROVIDED.
3. RAISE FIXTURE TO THE CEILING AND CAREFULLY TUCK THE WIRES INSIDE THE OUTLET BOX. SPREAD THE ELECTRICAL SPLICES SO THAT THE BLACK WIRES ARE ON ONE SIDE OF THE OUTLET BOX AND THE WHITE WIRES ARE ON THE OTHER SIDE. LINE UP SCREWS WITH HOLES IN CANOPY AND SECURE WITH BALL FINIALS.
4. PLACE SHADE SUPPORT AND GLASS BOWL ON SOCKET AND SECURE WITH SOCKET RING.
5. PRIOR TO INSTALLING THE BULB, PLEASE INSPECT SOCKET FOR SILICA PACKET. IF PACKET IS PRESENT, REMOVE AND THROW AWAY. DO NOT EXPOSE TO CHILDREN AND PETS.
6. INSTALL A 100 WATT MAX. MEDIUM BASE BULB (NOT INCLUDED) INTO SOCKET.
7. RESTORE POWER. YOUR NEW FIXTURE IS NOW READY TO USE.



90905BRZ INSTALLATION