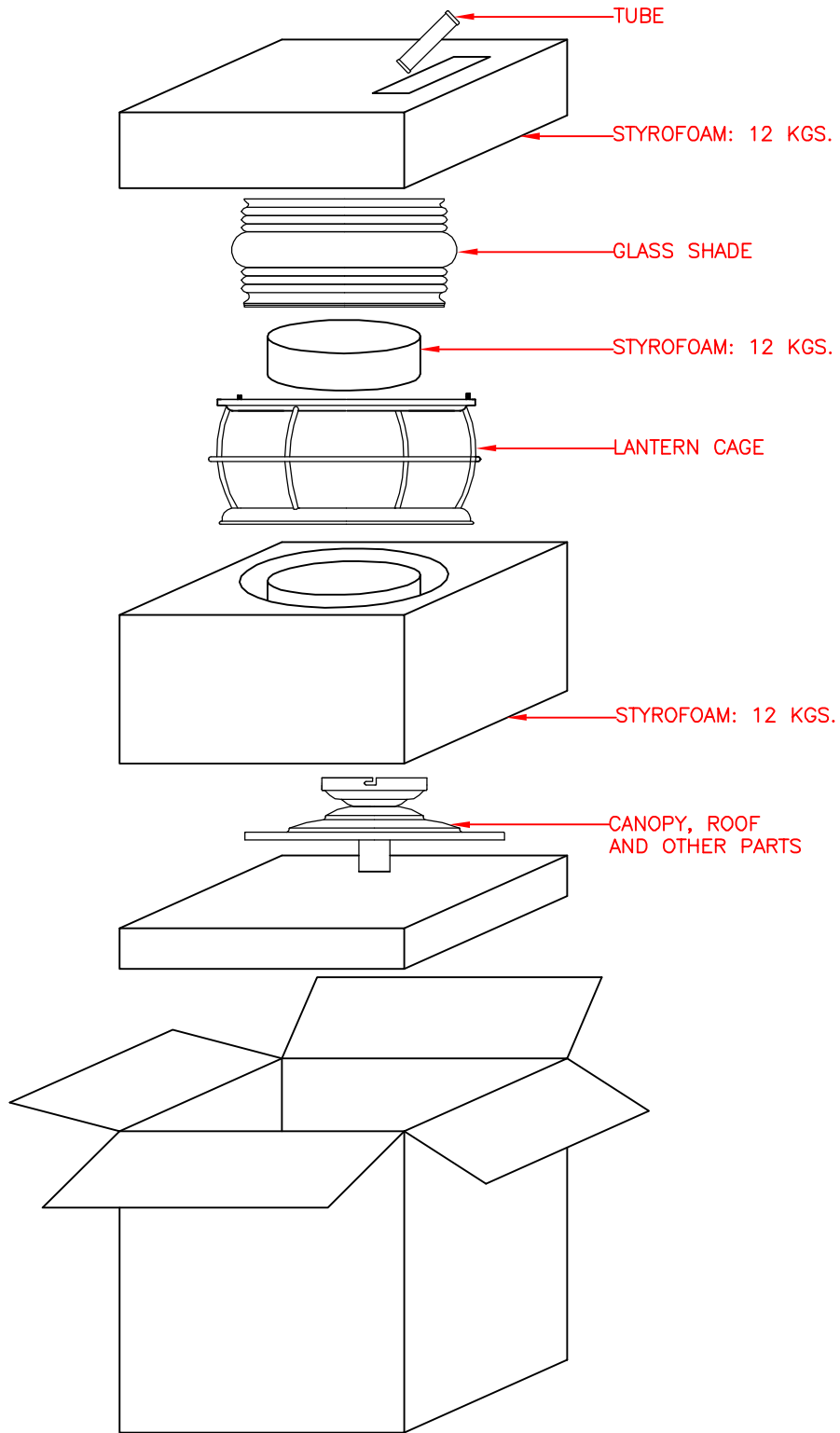


MODEL: 90954GC  
PACKING DIAGRAM



MODEL: 90954GC

## ASSEMBLY INSTRUCTIONS

READ AND SAVE THESE INSTRUCTIONS

READ INSTRUCTIONS ALL THE WAY THROUGH PRIOR TO ASSEMBLY.

THIS FIXTURE SHOULD TAKE APPROXIMATELY 10 MINUTES TO ASSEMBLE.

MAKE SURE ALL PARTS ARE FIRMLY TIGHTENED.

**TOOLS:** YOU WILL NEED THE FOLLOWING TOOLS OR EQUIPMENT: LADDER, SCREWDRIVER, ADJUSTABLE WRENCH, WIRE CUTTERS.

### UNPACK THE FIXTURE

YOU SHOULD HAVE RECEIVED THE FOLLOWING PARTS IN THE PACKAGE: CANOPY, (2) CAPS, TUBE, NIPPLE, (2) NUTS, METAL WASHER, (2) FINIALS, ROOF, (2) SMALL NUTS, (2) CLIPS, GLASS SHADE AND LANTERN CAGE. TO PROTECT THE FINISH, PLACE ALL PARTS ON A SOFT SURFACE.

### MOUNTING HARDWARE PACKAGE:

(4) SMALL SCREWS, (2) 8-32 x 1-1/4" SCREWS AND (3) WIRE CONNECTORS.

### FLUSHMOUNT ASSEMBLY

1. PLACE THE GLASS SHADE INTO LANTERN CAGE, THEN SECURE WITH (2) CLIPS AND (2) SMALL NUTS.

2. INSTALL A 100 WATT MAX., MEDIUM BASE, TYPE A BULB (NOT INCLUDED) INTO THE SOCKET.

3. SECURE THE ROOF TO THE LANTERN CAGE WITH (2) FINIALS.

### SEMI-FLUSHMOUNT ASSEMBLY

1. REMOVE THE METAL WASHER AND THE CANOPY FROM THE ROOF BY UNSCREWING THE NUT.

2. REMOVE THE SHORTER NIPPLE FROM THE ROOF BY UNSCREWING THE NIPPLE.

3. PLACE THE CAP ONTO THE ROOF, THEN SCREW THE LONGER NIPPLE TO THE TOP OF THE ROOF.

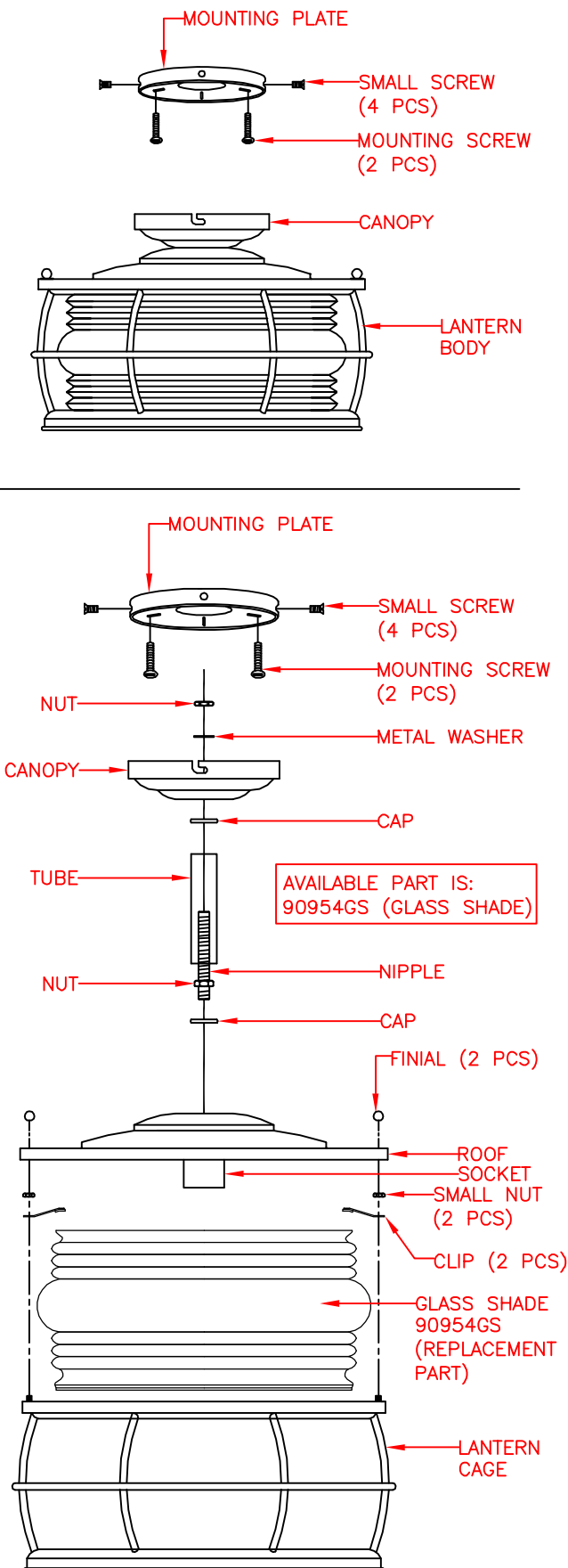
4. SLIDE THE TUBE, THE CAP, AND THE CANOPY OVER THE LONGER NIPPLE, AND SECURE WITH THE METAL WASHER AND THE NUT.

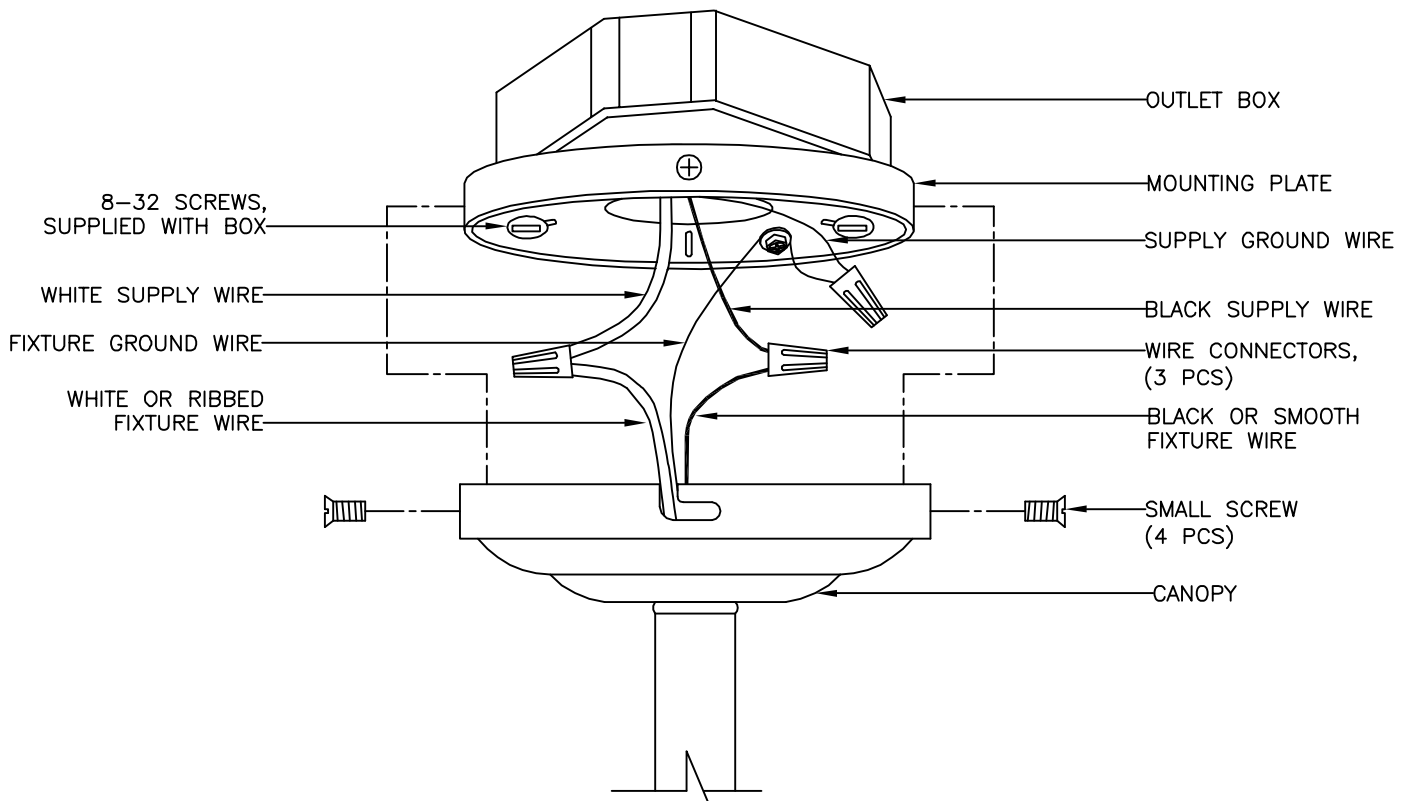
5. PLACE THE GLASS SHADE INTO LANTERN CAGE, THEN SECURE WITH (2) CLIPS AND (2) SMALL NUTS.

6. INSTALL A 100 WATT MAX., MEDIUM BASE, TYPE A BULB (NOT INCLUDED) INTO THE SOCKET.

7. SECURE THE ROOF TO THE LANTERN CAGE WITH THE TWO FINIALS.

COMPLETE INSTALLATION INSTRUCTIONS ON NEXT PAGE BEFORE PROCEEDING.





## INSTALLATION INSTRUCTIONS

### READ AND SAVE THESE INSTRUCTIONS

#### CAUTION

TO AVOID POSSIBLE ELECTRIC SHOCK, MAKE SURE THE ELECTRICITY IS SHUT OFF AT THE MAIN PANEL. IF YOU ARE REPLACING AN EXISTING FIXTURE, FIRSTLY, TURN THE FIXTURE OFF. NEXT, TURN THE WALL SWITCH OFF. FINALLY, GO TO THE MAIN FUSE OR BREAKER BOX IN YOUR HOME. TURN THE FUSE OR BREAKER TO THE OFF POSITION. SOME TYPES OF FUSES MUST BE UNSCREWED TO SHUT OFF THE POWER.

\* ALL WIRING MUST BE DONE IN ACCORDANCE WITH NATIONAL AND LOCAL ELECTRIC CODES.

\*\* IF YOU ARE NOT FAMILIAR WITH WIRING, YOU SHOULD USE A QUALIFIED ELECTRICIAN.

\*\*\* THIS FIXTURE IS INTENDED TO BE MOUNTED TO A UL LISTED OUTLET BOX CAPABLE OF SUPPORTING THE FIXTURE.

#### COMPLETE FIXTURE ASSEMBLY INSTRUCTIONS FIRST (SEE PREVIOUS).

1. SCREW THE TWO MOUNTING SCREWS INTO THE HOLES IN THE MOUNTING PLATE.

2. ATTACH THE MOUNTING PLATE TO THE CEILING OUTLET BOX USING THE TWO SCREWS PROVIDED WITH THE OUTLET BOX. (NOTE: IF THE SCREWS WITH THE OUTLET BOX ARE TOO SHORT, USE THE (2) 8-32 x 1-1/4" SCREWS PROVIDED IN THE MOUNTING HARDWARE PACKAGE).

3. CONNECT THE WHITE OR RIBBED FIXTURE WIRE TO THE WHITE SUPPLY WIRE IN THE OUTLET BOX USING THE TWIST-ON WIRE CONNECTORS PROVIDED. CONNECT THE BLACK OR SMOOTH FIXTURE WIRE TO THE BLACK SUPPLY WIRE IN THE SAME MANNER. INSTALL THE FIXTURE GROUND WIRE UNDER THE GREEN GROUND SCREW ON THE MOUNTING PLATE THEN CONNECT THE FIXTURE GROUND WIRE TO THE SUPPLY GROUND WIRE IN THE OUTLET BOX USING THE TWIST-ON WIRE CONNECTOR PROVIDED.

4. TUCK THE WIRES CAREFULLY INSIDE THE OUTLET BOX. SPREAD THE ELECTRICAL SPLICES SO THAT THE BLACK WIRES ARE ON ONE SIDE OF THE OUTLET BOX AND THE WHITE WIRES ARE ON THE OTHER SIDE.

5. RAISE THE FIXTURE TO THE CEILING, AND HOOK THE CANOPY TO THE MOUNTING SCREWS, TWIST THE CANOPY CLOCKWISE TO SECURE THE CANOPY TO THE MOUNTING SCREWS.

6. SECURE THE CANOPY TO THE CEILING BY TIGHTENING THE FOUR MOUNTING SCREWS.

7. RESTORE POWER, YOUR NEW FIXTURE IS NOW READY FOR USE.

