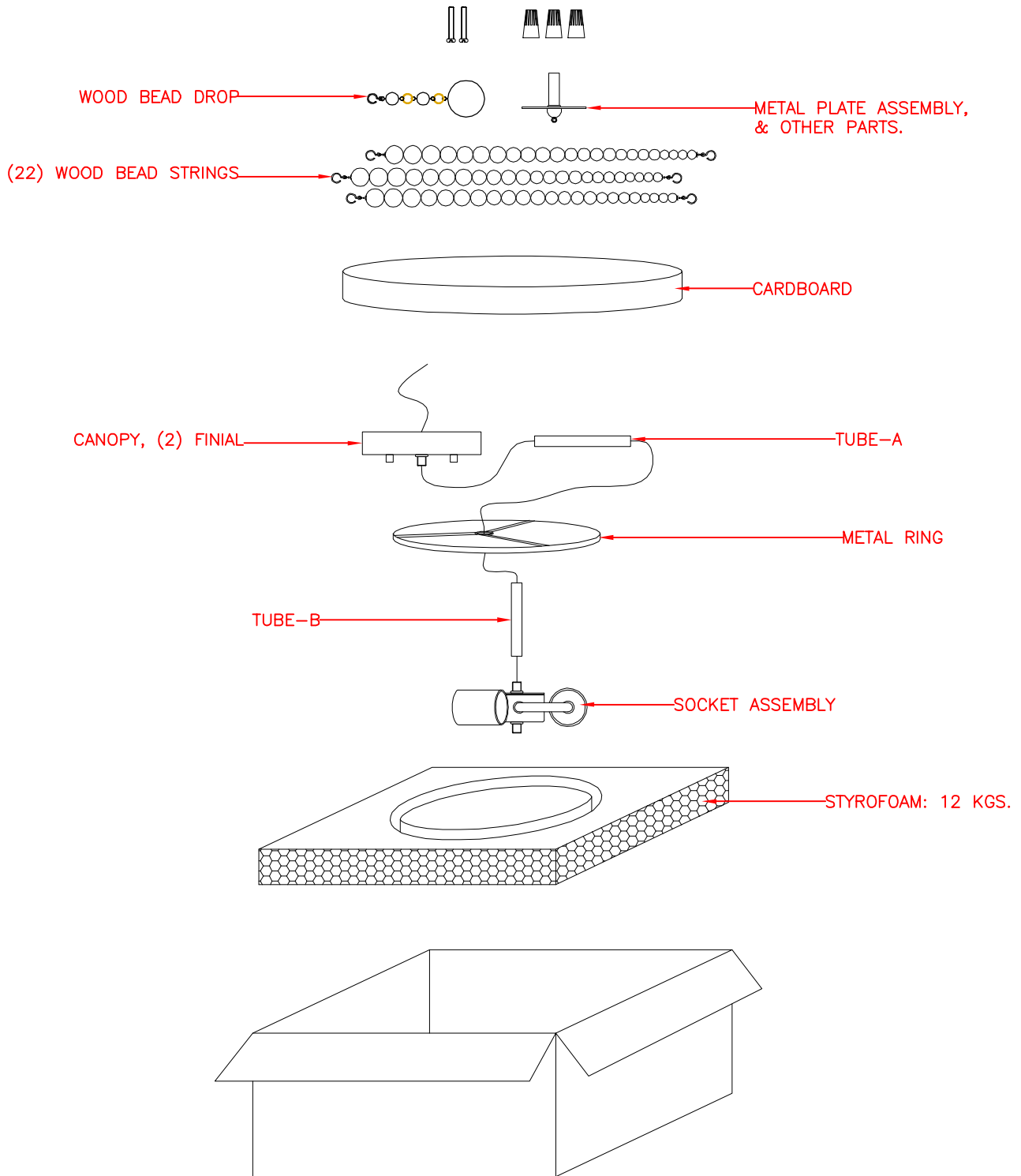
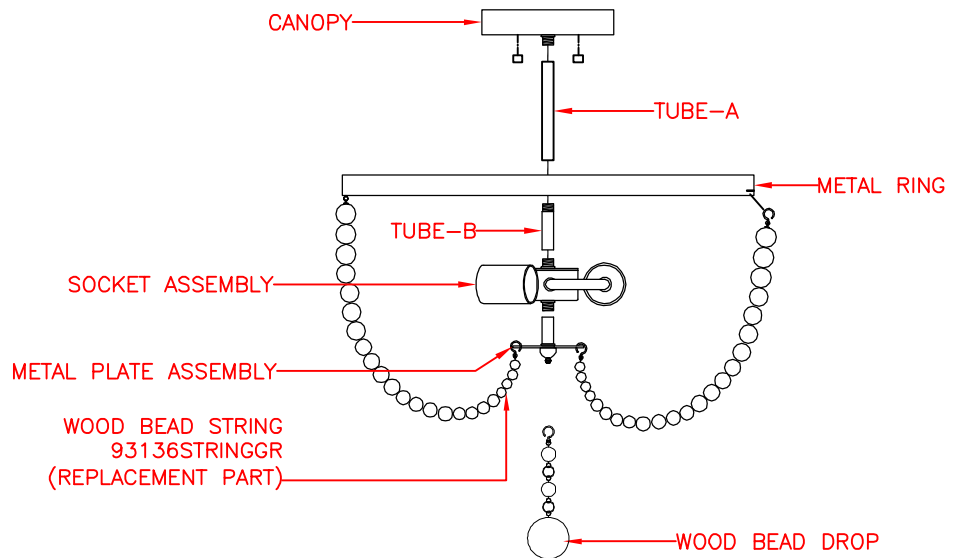


MODEL: 93136GBRZ

PACKING DIAGRAM





MODEL: 93136GBRZ

ASSEMBLY INSTRUCTIONS

READ AND SAVE THESE INSTRUCTIONS

AVAILABLE PART IS:
93136STRINGGR (WOOD BEAD STRING)

READ INSTRUCTIONS ALL THE WAY THROUGH PRIOR TO ASSEMBLY.

THIS FIXTURE SHOULD TAKE APPROXIMATELY 10 MINUTES TO ASSEMBLE.

MAKE SURE ALL PARTS ARE FIRMLY TIGHTENED.

TOOLS: YOU WILL NEED THE FOLLOWING TOOLS OR EQUIPMENT: LADDER, SCREWDRIVER, ADJUSTABLE WRENCH, WIRE CUTTERS.

UNPACK THE FIXTURE

YOU SHOULD HAVE RECEIVED THE FOLLOWING PARTS IN THE PACKAGE: CANOPY (2) TUBES, METAL RING, (22) WOOD BEAD STRINGS, SOCKET ASSEMBLY, METAL PLATE ASSEMBLY AND WOOD BEAD DROP. TO PROTECT THE FINISH, PLACE ALL PARTS ON A SOFT SURFACE.

MOUNTING HARDWARE PACKAGE:

MOUNTING PLATE, (4) 8-32 x 1-1/4" SCREWS, (2) SMALL NUTS, (2) FINIALS, (3) WIRE CONNECTORS, GREEN GROUND SCREW.

FIXTURE ASSEMBLY

1. SCREW THE TUBE-B TO TOP OF THE SOCKET ASSEMBLY.
2. SCREW THE TUBE-B TO BOTTOM OF THE METAL RING.
3. SCREW THE TUBE-A TO TOP OF THE METAL RING.
4. SCREW THE CANOPY TO TOP OF THE TUBE-A.
5. SCREW THE METAL PLATE ASSEMBLY TO BOTTOM OF THE SOCKET ASSEMBLY.

COMPLETE INSTALLATION INSTRUCTIONS ON NEXT PAGE BEFORE PROCEEDING.

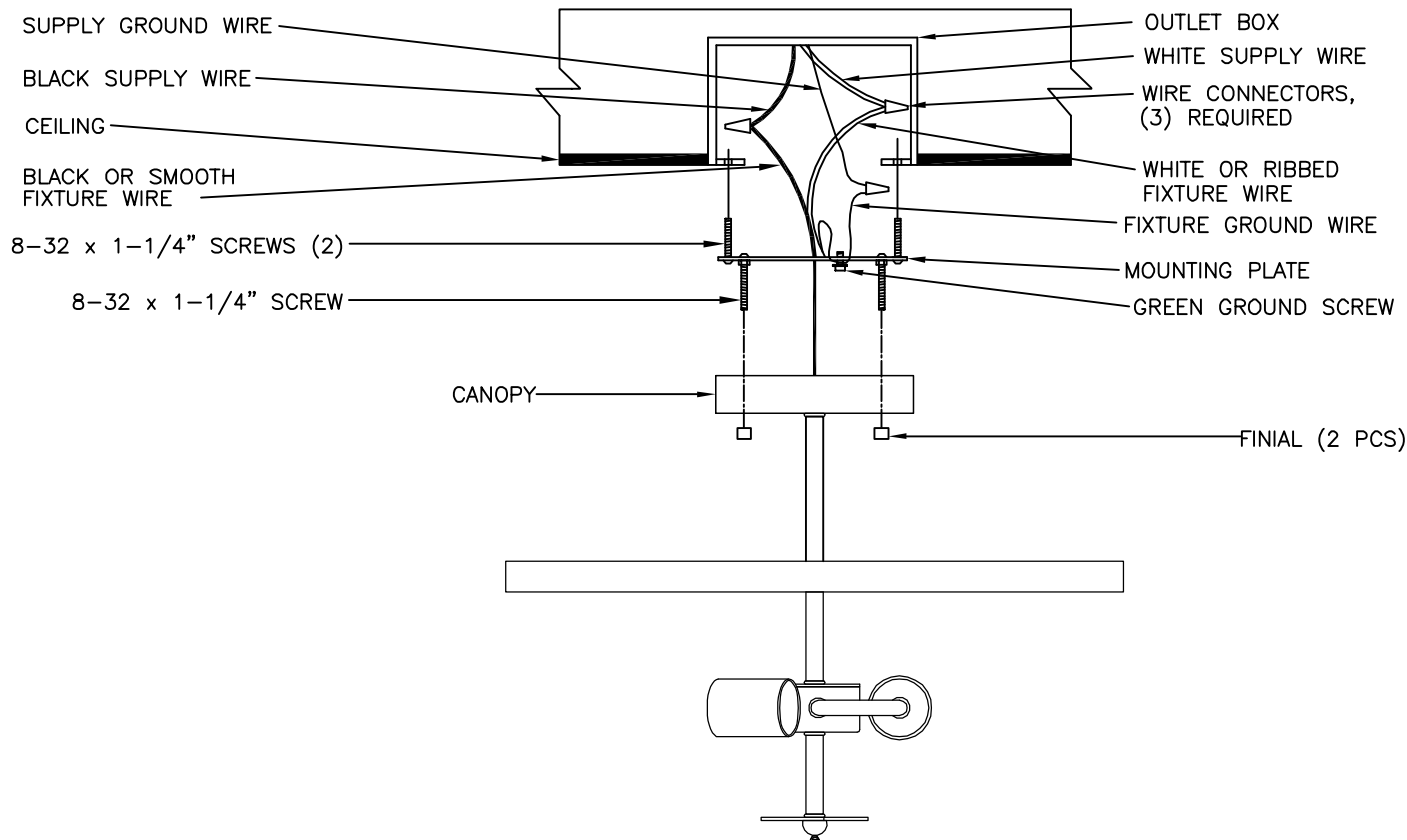
FINAL ASSEMBLY

1. PRIOR TO INSTALLING THE BULBS, PLEASE INSPECT SOCKETS FOR SILICA PACKET. IF PACKET IS PRESENT, REMOVE AND THROW AWAY. DO NOT EXPOSE TO CHILDREN AND PETS.
2. INSTALL A 120V, 60HZ, 60 WATT MAX. MEDIUM BASE TYPE "A" BULB (NOT INCLUDED) INTO EACH SOCKET.
3. ATTACH THE WOOD BEAD STRINGS TO THE METAL RING AND METAL PLATE AS SHOWN.
4. ATTACH THE WOOD BEAD DROP TO BOTTOM OF THE METAL PLATE ASSEMBLY.
5. RESTORE POWER, YOUR NEW FIXTURE IS NOW READY FOR USE.

CLEANING THE FIXTURE

CLEAN THE FIXTURE WITH A SOFT, DRY CLOTH. DO NOT USE ANY CLEANERS WITH CHEMICALS, SOLVENTS, OR HARSH ABRASIVES.





INSTALLATION INSTRUCTIONS

READ AND SAVE THESE INSTRUCTIONS

CAUTION

TO AVOID POSSIBLE ELECTRIC SHOCK, MAKE SURE THE ELECTRICITY IS SHUT OFF AT THE MAIN PANEL. IF YOU ARE REPLACING AN EXISTING FIXTURE, FIRSTLY, TURN THE FIXTURE OFF. NEXT, TURN THE WALL SWITCH OFF. FINALLY, GO TO THE MAIN FUSE OR BREAKER BOX IN YOUR HOME. TURN THE FUSE OR BREAKER TO THE OFF POSITION. SOME TYPES OF FUSES MUST BE UNSCREWED TO SHUT OFF THE POWER.

* ALL WIRING MUST BE DONE IN ACCORDANCE WITH NATIONAL AND LOCAL ELECTRIC CODES.

** IF YOU ARE NOT FAMILIAR WITH WIRING, YOU SHOULD USE A QUALIFIED ELECTRICIAN.

*** THIS FIXTURE IS INTENDED TO BE MOUNTED TO A UL LISTED OUTLET BOX CAPABLE OF SUPPORTING THE FIXTURE.

1. ATTACH THE MOUNTING PLATE TO THE CEILING OUTLET BOX USING THE TWO SCREWS PROVIDED WITH THE OUTLET BOX. (NOTE: IF THE SCREWS WITH THE OUTLET BOX ARE TOO SHORT, USE THE (2) 8-32 x 1-1/4" SCREWS PROVIDED IN THE MOUNTING HARDWARE PACKAGE).
2. CONNECT THE WHITE OR RIBBED FIXTURE WIRE TO THE WHITE SUPPLY WIRE IN THE OUTLET BOX USING THE TWIST-ON WIRE CONNECTORS PROVIDED. CONNECT THE BLACK OR SMOOTH FIXTURE WIRE TO THE BLACK SUPPLY WIRE IN THE SAME MANNER. INSTALL THE FIXTURE GROUND WIRE UNDER THE GREEN GROUND SCREW ON THE MOUNTING PLATE THEN CONNECT THE FIXTURE GROUND WIRE TO THE SUPPLY GROUND WIRE IN THE OUTLET BOX USING THE TWIST-ON WIRE CONNECTOR PROVIDED.
3. TUCK THE WIRES CAREFULLY INSIDE THE OUTLET BOX. SPREAD THE ELECTRICAL SPLICES SO THAT THE BLACK WIRES ARE ON ONE SIDE OF THE OUTLET BOX AND THE WHITE WIRES ARE ON THE OTHER SIDE.
4. RAISE THE FIXTURE TO THE CEILING AND SECURE IN PLACE WITH (2) FINIALS.
5. SEE PREVIOUS PAGE FOR FINAL ASSEMBLY INSTRUCTIONS.

