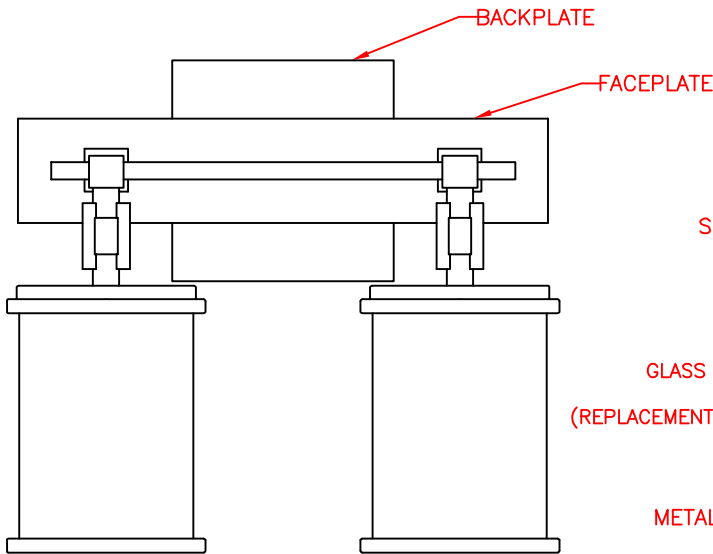
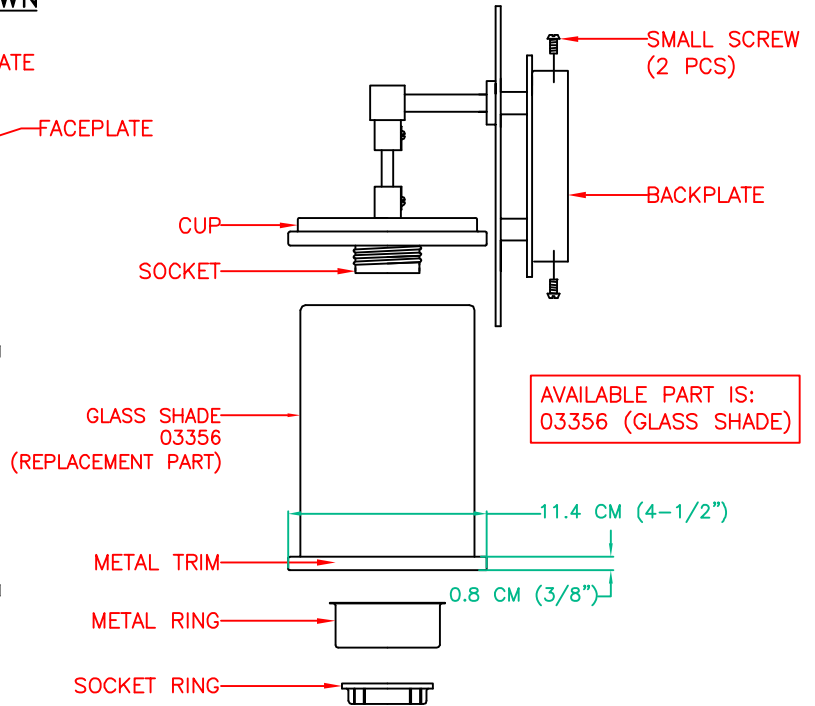


THIS VANITY CAN BE MOUNTED UP OR DOWN



FRONT VIEW



SIDE VIEW

AVAILABLE PART IS:
03356 (GLASS SHADE)

PRODUCT SPECIFICATIONS

OVERALL ASSEMBLED DIMENSIONS

HEIGHT: 28.3 CM (11-1/8"), WIDTH: 31.7 CM (12-1/2"), EXTENSION: 15.3 CM (6").

- 2 LIGHTS:** UL LISTED. 120V, 60HZ, 100 WATT. MEDIUM BASE E-26 CERAMIC SOCKET. METAL SOCKET RINGS AND METAL RINGS ARE INCLUDED.
- FACEPLATE:** PAINTED METAL, 30.5 CM (12") LENGTH x 6 CM (2-3/8") WIDTH.
- BACKPLATE:** PAINTED METAL, 12.7 CM (5") SQ. x 2.4 CM (1") HEIGHT.
- CUP:** PAINTED METAL, 11.4 CM (4-1/2") SQ. x 1.6 CM (5/8") HEIGHT. SHAPED AS SHOWN.
- GLASS SHADE:** LIGHT AMBER GLASS SHADE, 10 CM (3-7/8") SQ. x 15.2 CM (6") HEIGHT, TRIM ADHERED TO THE GLASS SHADE. SHAPED AS SHOWN.
- SUPPLY WIRE:** UL LISTED. 18 AWG, 200°C, MUST EXTEND A MINIMUM OF 15.2 (6") PAST CENTER OF BACKPLATE. COPPER MATERIAL. WIRE MUST BE LEAD FREE.
- LABEL:** UL AND CSA OR CUL, MANUFACTURE DATE, MODEL # AND COUNTRY OF ORIGIN LABELS PROVIDED ON BACKPLATE. RELAMPING LABEL FOR 100 WATT TYPE "A" BULB PROVIDED ON SOCKET OR NEAR SOCKET.
- PACKAGING AND SHIPPING**
- THE ITEM IS DISASSEMBLED FOR SHIPPING AS SHOWN. EACH PART IS SECURED SO THEY CAN NOT MOVE DURING SHIPPING.
- MOUNTING PLATE, (2) 8-32 x 1-1/4" MOUNTING SCREWS, (2) SMALL SCREWS AND (3) CONNECTORS PROVIDED. ENTIRE FIXTURE IS COVERED IN A CLOSED PLASTIC BAG WITH A SMALL BAG OF SILICA INSIDE.
- THE CARTON IS MADE OF DOUBLE WALL, CORRUGATED CARDBOARD "A MA A". BROWN IN COLOR. THE INNER PACKING IS DIE-CUT CARDBOARD OR STYROFOAM TO PROTECT AND SECURE THE LAMP AND MUST PASS THE FEDEX AND ISTA-3A DROP TEST REQUIREMENTS.
- EACH CARTON SHALL BE PRINTED WITH A LINE DRAWING AND THE KENROY HOME NAME AND LOGO, MODEL NUMBER AND FINISH, EACH CARTON SHALL BE PROVIDED A UPC LABEL. THE UPC BAR CODE AS FOLLOWS: 053392033736.

OTHER DETAILS:

- ENTIRE BACKPLATE ASSEMBLY MUST SIT FLUSH AGAINST WALL SURFACE.
- ALL VISIBLE PARTS MUST MATCH FIXTURE FINISH UNLESS OTHERWISE SPECIFIED.
- MODEL 03373 INSTRUCTIONS ARE TO BE PRINTED CLEARLY ON QUALITY PAPER AND PACKED WITH EACH FIXTURE.
- ALL BAGS MUST BE LABELED WITH OFFICIAL "THIS BAG IS NOT A TOY" STATEMENT.
- ASSEMBLY TIME: 10 MINUTES.
- DIMS OF BOX: 50.2 CM (19-3/4") LENGTH X 36.2 CM (14-1/4") WIDTH X 21.6 CM (8-1/2") HEIGHT. (CUFT.: 1.38')
- NET WEIGHT: 7 LBS. GROSS WEIGHT: 9.6 LBS.
- THE UL NUMBER IS E314733.

KENROY HOME 3723 Regent Boulevard JACKSONVILLE, FL. 32224 PHONE: 904-642-4340 FAX: 904-642-4150	THIS DOCUMENT AND THE INFORMATION THAT IT DISCLOSES IS THE EXCLUSIVE PROPERTY OF KENROY HOME. ANY REPRODUCTION OR USE OF THIS DRAWING IN PART OR IN WHOLE, WITHOUT THE EXPRESS CONSENT OF THE PROPRIETOR IS PROHIBITED. © 2006 KENROY HOME.			REVISION DATE: 5/25/2016 change UL	MODEL #: 03373
	DATE: 6/30/2006	SCALE: NONE	DRAWN BY: JAMES	REVISION DATE: 8/9/2016 change notes	FINISH: ORB
REFERENCE: PLATEAU 2 LT. VANITY				REVISION DATE: 11/11/2016 change package drawing	APPROVAL:
				4/12/2017 add notes	PAGE: 1 OF 1