

AVAILABLE PARTS ARE:  
 32197ANICC (CORD COVER)  
 32197SHANI (METAL SHADE)

**CORD COVER ASSEMBLY**

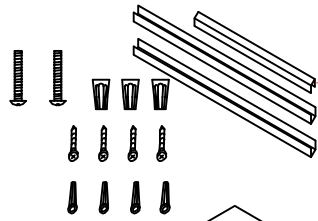
**PRODUCT SPECIFICATIONS**

- OVERALL ASSEMBLED DIMENSIONS:**  
 HEIGHT: 24.8 CM (9-3/4"), WIDTH: 15 CM (5-7/8"), EXTENSION: FROM 33 CM (13") TO 58.4 CM (23").
- 1 LIGHT:** UL LISTED, 60 WATT, MEDIUM BASE E-26 PHENOLIC SOCKET, ON/OFF SWITCH (STEEL HANDLE) LOCATED AS SHOWN.
- CORD:** UL LISTED, MIN 183 CM (6 FT.) LENGTH, 18 AWG., 2 CONDUCTORS, 105°C, TYPE SPT-2, SILVER/CLEAR COLOR, COMES WITH MATCHING CORD COVER. WIRES MUST BE LEAD FREE.
- BACKPLATE:** PLATED STEEL, 12.8 CM (5") DIA. x 4.2 CM (1-5/8") HEIGHT, (2) PCS HOLES IN BACKPLATE TO PASS THE MOUNTING SCREWS.
- POLE:** PLATED STEEL, 1.2 CM (1/2") DIA. TUBING, SHAPED AS SHOWN.
- CUP:** PLATED STEEL, 5.5 CM (2-1/8") DIA. x 5.5 CM (2-1/8") HEIGHT.
- METAL SHADE:** STEEL, PLATED IN ANI FINISH OUTSIDE AND PAINTED WHITE INSIDE, 15 CM (5-7/8") DIA. x 13.2 CM (5-3/16") HEIGHT.
- LABELS:** UL AND CSA OR CUL, WARNING LABEL FOR PARTS, PARTS ARROW LABEL, MANUFACTURING DATE, MODEL # AND COUNTRY OF ORIGIN LABEL PROVIDED. RELAMPING LABEL FOR 60 WATT MAX. TYPE "A" BULB PROVIDED IN METAL SHADE.
- PACKAGING AND SHIPPING DETAILS:**
- ALL PARTS SECURED SO THEY CAN NOT MOVE DURING SHIPPING. LAMP IS COVERED IN A CLOSED PLASTIC BAG WITH A SMALL BAG OF SILICA GEL INSIDE.
- HARDWARE (4) PLASTIC ANCHORS, (4) WOOD SCREWS, MOUNTING PLATE, (4) MOUNTING SCREWS, (2) NUTS, (2) BALL FINIALS, MOUNTING CHANNEL, (2) CORD COVERS AND (3) WIRE CONNECTORS ARE PROVIDED.
- THE CARTON IS MADE OF DOUBLE WALL, CORRUGATED CARDBOARD "A MA A". BROWN IN COLOR. THE INNER PACKING IS DIE-CUT CARDBOARD OR STYROFOAM TO PROTECT AND SECURE THE LAMP AND MUST PASS THE FEDEX AND ISTA-3A DROP TEST REQUIREMENTS.
- EACH CARTON SHALL BE PRINTED WITH A LINE DRAWING AND THE HOME DECOTATORS COLLECTION NAME AND LOGO, MODEL NUMBER, EACH CARTON SHALL BE PROVIDED A LABEL FROM HOME DEC. FOR DIRECT CONTAINER PO., EACH CARTON SHALL BE PROVIDED A UPC LABEL FOR WAREHOUSE PO., THE UPC BAR CODE AS FOLLOWS: ANI=053392113025.
- OTHER DETAILS:**
- MODEL 32197ANI ASSEMBLY INSTRUCTIONS ARE TO BE PACKED WITH EACH LAMP.
- ALL VISIBLE PARTS, EXCEPT SHADE, MUST MATCH LAMP FINISH UNLESS OTHERWISE SPECIFIED.
- THE UL NUMBER IS E333294.
- DIMS OF BOX: 27.3 CM (10-3/4") LENGTH x 19.7 CM (7-3/4") WIDTH x 36.8 CM (14-1/2") HEIGHT. (CUFT.: 0.7')
- NET WEIGHT: 3.3 LBS. GROSS WEIGHT: 4.4 LBS.

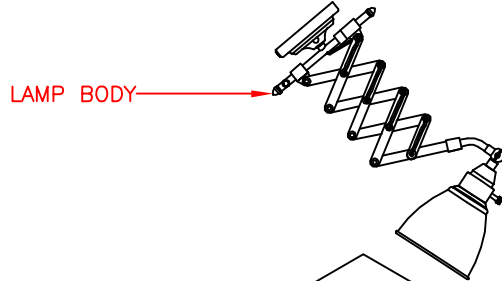
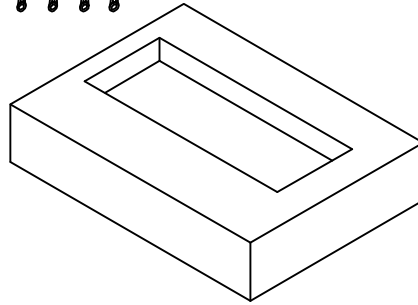
**KENROY HOME**  
 3723 Regent Boulevard  
 JACKSONVILLE, FL. 32224  
 PHONE: 904-642-4340  
 FAX: 904-642-4150

THIS DOCUMENT AND THE INFORMATION THAT IT DISCLOSES IS THE EXCLUSIVE PROPERTY OF KENROY HOME. ANY REPRODUCTION OR USE OF THIS DRAWING IN PART OR IN WHOLE, WITHOUT THE EXPRESS CONSENT OF THE PROPRIETOR IS PROHIBITED. © 2012 KENROY HOME.			REVISION DATE:	MODEL #:
			REVISION DATE:	32197ANI
DATE: 11/30/2012	SCALE: NONE	DRAWN BY: James	REVISION DATE:	FINISH: ANI
REFERENCE: FLOREN SWING ARM LAMP	APPROVAL:	REVISION DATE:	PAGE: 1	OF: 1

MODEL: 32197ANI  
PACKING DIAGRAM



(2) 8/32 x 1-1/4" MOUNTING SCREWS,  
(4) WOOD SCREWS, (4) PLASTIC ANCHORS,  
MOUNTING CHANNEL, (2) CORD COVERS  
AND (3) WIRE CONNECTORS.



LAMP BODY

STYROFOAM: 12 KGS.

