

PRODUCT SPECIFICATIONS

OVERALL ASSEMBLED DIMENSIONS

HEIGHT: 75.6 CM (29-3/4"), WIDTH: 38.1 CM (15") DIA.

1 LIGHT: UL APPROVED FOR WET LOCATION, 100 WATT, MEDIUM BASE E-26 CERAMIC SOCKET. ON/OFF PUSH BUTTON SWITCH.

SHADE: CREAM TAPERED DRUM SHADE, 33 CM (13") DIA. (TOP) x 38.1 CM (15") DIA. (BOTTOM), SLANT HEIGHT: 26.7 CM (10-1/2"). THE SHADE FABRIC CONTENT: 20% COTTON AND 80% TERYLENE.

GLASS DOME: CLEAR GLASS, 9.8 CM (3-7/8") DIA. x 14 CM (5-1/2") HEIGHT, SHAPED AS SHOWN.

CUP: PAINTED STEEL, 10 CM (3-7/8") DIA. MAX. x 7 CM (2-3/4") HEIGHT, SHAPED AS SHOWN.

LAMP BODY: PAINTED RESIN, 15.2 CM (6") SQ. (TOP) x 17.8 CM (7") SQ. (BOTTOM) x 47 CM (18-1/2") HEIGHT. PLASTIC WASHERS INSTALLED ON BOTTOM OF LAMP BODY.

CORD: UL APPROVED FOR WET LOCATION, MIN 305 CM (10 FT.) LENGTH, 18 AWG., 3 CONDUCTORS, 105°C, TYPE JIT-W, WATER PROOF. BLACK COLOR, COPPER MATERIAL. WIRES MUST BE LEAD FREE.

LABELS: UL AND CSA OR CUL, MANUFACTURING DATE, MODEL # AND COUNTRY OF ORIGIN LABEL PROVIDED. RELAMPING LABEL FOR 100 WATT MAX. TYPE "A" BULB PROVIDED NEAR SOCKET.

PACKAGING AND SHIPPING DETAILS

THE LAMP IS DISASSEMBLED FOR SHIPPING. EACH PART IS CAREFULLY WRAPPED IN A PLASTIC BAG AND PLACED SECURELY IN THE INNER PACKING SO IT CAN NOT MOVE AROUND DURING SHIPPING. A SMALL BAG OF SILICA IS INCLUDED IN THE PACKAGE.

THE CARTON IS MADE OF DOUBLE WALL, CORRUGATED CARDBOARD "A MA A". BROWN IN COLOR. THE INNER PACKING IS DIE-CUT CARDBOARD OR STYROFOAM TO PROTECT AND SECURE THE LAMP AND MUST PASS THE FEDEX AND ISTA-3A DROP TEST REQUIREMENTS.

EACH CARTON SHALL BE PRINTED WITH A LINE DRAWING AND THE KENROY HOME NAME AND LOGO, MODEL NUMBER AND FINISH, EACH CARTON SHALL BE PROVIDED A UPC LABEL. THE UPC BAR CODE AS FOLLOWS: BRZ=053392031053.

OTHER DETAILS

MODEL 32204BRZ INSTRUCTIONS ARE TO BE PACKED WITH EACH LAMP. INSTRUCTIONS MUST BE PRINTED CLEARLY ON QUALITY PAPER.

ALL VISIBLE METAL PARTS MUST MATCH LAMP FINISH UNLESS OTHERWISE SPECIFIED.

ALL BAGS MUST BE LABELED WITH OFFICIAL "THIS BAG IS NOT A TOY" STATEMENT.

LAMP MUST REST FLAT ON SURFACE AND NOT ROCK. LAMP MUST PASS 12° TILT TEST.

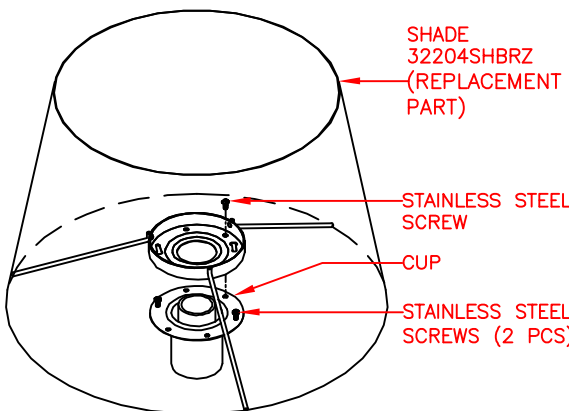
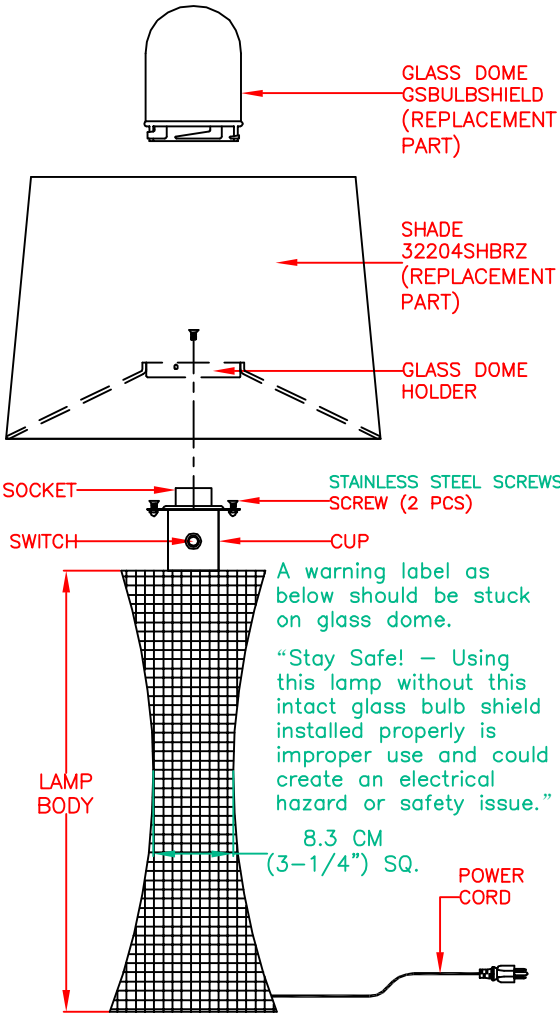
ASSEMBLY TIME: 10 MINUTES.

DIMS OF BOX: 62.2 CM (24-1/2") LENGTH X 43.2 CM (17") WIDTH X 54 CM (21-1/4") HEIGHT. (CUFT.: 5.1')

NET WEIGHT: 10.1 LBS. GROSS WEIGHT: 14 LBS.

THIS ITEM MUST BE UL APPROVED FOR WET LOCATION,

THE UL NUMBER IS E229128.



SHADE DETAILS

AVAILABLE PARTS ARE:
 32204SHBRZ (SHADE)
 GSBULBSHIELD (GLASS DOME)

KENROY HOME 3723 Regent Boulevard JACKSONVILLE, FL. 32224 PHONE: 904-642-4340 FAX: 904-642-4150	THIS DOCUMENT AND THE INFORMATION THAT IT DISCLOSES IS THE EXCLUSIVE PROPERTY OF KENROY HOME. ANY REPRODUCTION OR USE OF THIS DRAWING IN PART OR IN WHOLE, WITHOUT THE EXPRESS CONSENT OF THE PROPRIETOR IS PROHIBITED. © 2012 KENROY HOME.			REVISION DATE: 11/1/2012 change screw	MODEL #: 32204BRZ
	DATE: 6/28/2012	SCALE: NONE	DRAWN BY: JAMES	REVISION DATE: 4/10/2014 change package drawing	FINISHES: BRZ
	REFERENCE: WEAVER OUTDOOR TABLE LAMP	APPROVAL:	REVISION DATE: 6/24/2015 add notes	REVISION DATE: 7/12/2016 change package drawing	PAGE: 1 OF 1