

PRODUCT SPECIFICATIONS

OVERALL ASSEMBLED DIMENSIONS

HEIGHT: 77.5 CM (30-1/2"), WIDTH: 40.6 CM (16") DIA.

1 LIGHT: UL APPROVED FOR WET LOCATION, 100 WATT, MEDIUM BASE E-26 CERAMIC SOCKET. ON/OFF PUSH BUTTON SWITCH.

SHADE: GRAY TWEED SHADE, 33 CM (13") DIA. (TOP) x 40.6 CM (16") DIA. (BOTTOM), SLANT HEIGHT: 29.2 CM (11-1/2"). THE SHADE FABRIC CONTENT: 20% COTTON AND 80% TERYLENE.

GLASS DOME: CLEAR GLASS, 9.8 CM (3-7/8") DIA. x 14 CM (5-1/2") HEIGHT, SHAPED AS SHOWN.

CUP: PAINTED STEEL, 10 CM (3-7/8") DIA. MAX. x 7 CM (2-3/4") HEIGHT, SHAPED AS SHOWN.

LAMP BODY: PAINTED LIGHT CONCRETE, 18.4 CM (7-1/4") DIA. MAX. x 47.6 CM (18-3/4") HEIGHT. PLASTIC WASHERS INSTALLED ON BOTTOM OF LAMP BODY.

CORD: UL APPROVED FOR WET LOCATION, MIN 305 CM (10 FT.) LENGTH, 18 AWG., 3 CONDUCTORS, 105°C, TYPE JIT-W, WATER PROOF. BLACK COLOR. COPPER MATERIAL. WIRES MUST BE LEAD FREE.

LABELS: UL AND CSA OR CUL, MANUFACTURING DATE, MODEL # AND COUNTRY OF ORIGIN LABEL PROVIDED. RELAMPING LABEL FOR 100 WATT MAX. TYPE "A" BULB PROVIDED NEAR SOCKET.

PACKAGING AND SHIPPING DETAILS

THE LAMP IS DISASSEMBLED FOR SHIPPING. EACH PART IS CAREFULLY WRAPPED IN A PLASTIC BAG AND PLACED SECURELY IN THE INNER PACKING SO IT CAN NOT MOVE AROUND DURING SHIPPING. A SMALL BAG OF SILICA IS INCLUDED IN THE PACKAGE.

THE CARTON IS MADE OF DOUBLE WALL, CORRUGATED CARDBOARD "A MA A". BROWN IN COLOR. THE INNER PACKING IS DIE-CUT CARDBOARD OR STYROFOAM TO PROTECT AND SECURE THE LAMP AND MUST PASS THE FEDEX AND ISTA-3A DROP TEST REQUIREMENTS.

EACH CARTON SHALL BE PRINTED WITH A LINE DRAWING AND THE KENROY HOME NAME AND LOGO, MODEL NUMBER AND FINISH, EACH CARTON SHALL BE PROVIDED A UPC LABEL. THE UPC BAR CODE AS FOLLOWS: CON=053392031008.

OTHER DETAILS

MODEL 32223COQN INSTRUCTIONS ARE TO BE PACKED WITH EACH LAMP. INSTRUCTIONS MUST BE PRINTED CLEARLY ON QUALITY PAPER.

ALL VISIBLE METAL PARTS MUST MATCH LAMP FINISH UNLESS OTHERWISE SPECIFIED.

ALL BAGS MUST BE LABELED WITH OFFICIAL "THIS BAG IS NOT A TOY" STATEMENT.

LAMP MUST REST FLAT ON SURFACE AND NOT ROCK. LAMP MUST PASS 12° TILT TEST.

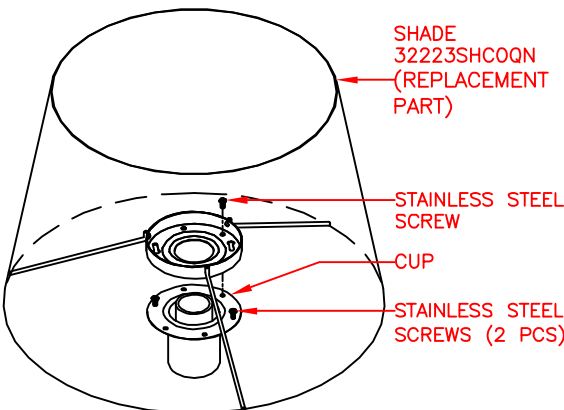
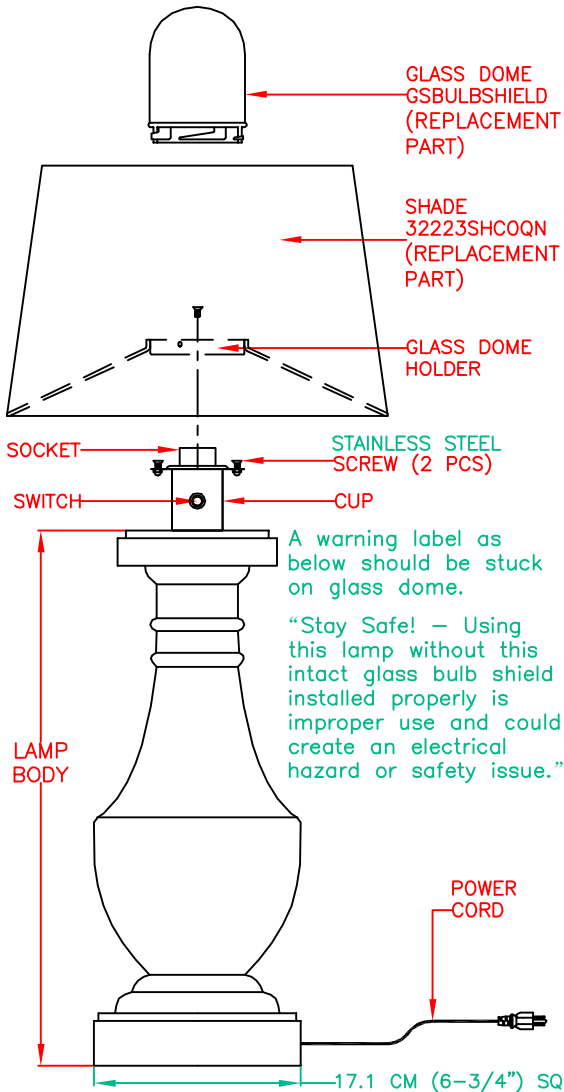
ASSEMBLY TIME: 10 MINUTES.

DIMS OF BOX: 62.9 CM (24-3/4") LENGTH X 47 CM (18-1/2") WIDTH X 58.4 CM (23") HEIGHT. (CUFT.: 6.1')

NET WEIGHT: 11.2 LBS. GROSS WEIGHT: 16.1 LBS.

THIS ITEM MUST BE UL APPROVED FOR WET LOCATION,

THE UL NUMBER IS E229128.



SHADE DETAILS

AVAILABLE PARTS ARE:
32223SHCOQN (SHADE)
GSBULBSHIELD (GLASS DOME)

KENROY HOME
3723 Regent Boulevard
JACKSONVILLE, FL. 32224
PHONE: 904-642-4340
FAX: 904-642-4150

THIS DOCUMENT AND THE INFORMATION THAT IT DISCLOSES IS THE EXCLUSIVE PROPERTY OF KENROY HOME. ANY REPRODUCTION OR USE OF THIS DRAWING IN PART OR IN WHOLE, WITHOUT THE EXPRESS CONSENT OF THE PROPRIETOR IS PROHIBITED. © 2012 KENROY HOME.

DATE: 6/28/2012

SCALE: NONE

DRAWN BY: JAMES

REFERENCE: VERANDA OUTDOOR TABLE LAMP

APPROVAL:

REVISION DATE: 11/1/2012 change screw

REVISION DATE: 7/4/2014 change package drawing

REVISION DATE: 6/24/2015 add notes

REVISION DATE: 7/12/2016 change package drawing

MODEL #: 32223COQN

FINISHES: COQUINA

PAGE: 1 OF 1