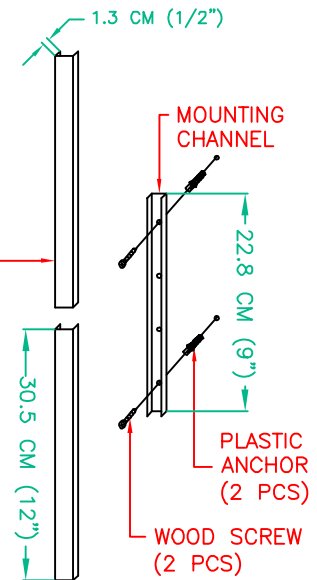
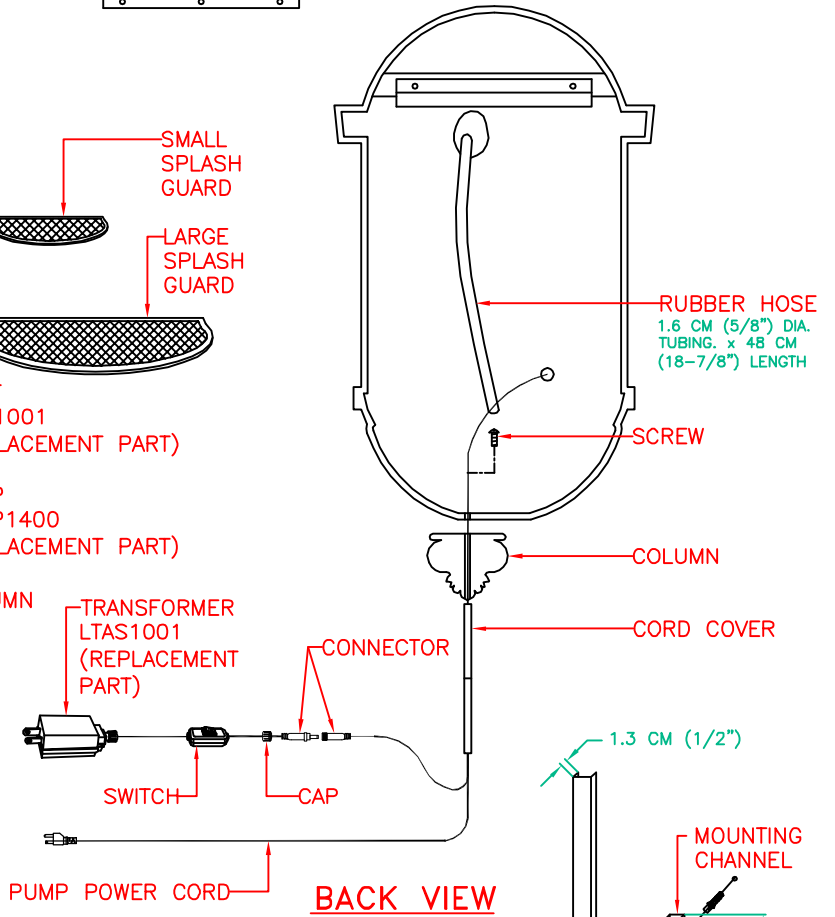


AVAILABLE PARTS ARE:
 LTAS1001 (LIGHT AND TRANSFORMER)
 PUMP1400 (PUMP)



| | | | | | |
|--|---|-------------|-----------------|-----------------------|--------------|
| KENROY HOME 3723 Regent Boulevard JACKSONVILLE, FL. 32224 PHONE: 904-642-4340 FAX: 904-642-4150 | THIS DOCUMENT AND THE INFORMATION THAT IT DISCLOSES IS THE EXCLUSIVE PROPERTY OF KENROY HOME. ANY REPRODUCTION OR USE OF THIS DRAWING IN PART OR IN WHOLE, WITHOUT THE EXPRESS CONSENT OF THE PROPRIETOR IS PROHIBITED. © 2018 KENROY HOME. | | | REVISION DATE: | MODEL #: |
| | DATE: 1/8/2018 | SCALE: NONE | DRAWN BY: ARVIN | REVISION DATE: | 51011PLBZ |
| | REFERENCE: SAN PABLO WALL FOUNTAIN | APPROVAL: | REVISION DATE: | FINISHES: PLUM BRONZE | PAGE: 1 OF 2 |
| | | | | REVISION DATE: | |

PRODUCT SPECIFICATIONS

OVERALL ASSEMBLED DIMENSIONS

HEIGHT: 88 CM (34-5/8"), WIDTH: 49.7 CM (19-1/2"), EXTENSION: 24 CM (9-7/16").

PUMP: UL LISTED. 120V, 60HZ, 5 WATT. MODEL: YH-400MIX, SUBMERSIBLE FOUNTAIN PUMP, FLOW RATE: 105 GPH. HEAD: 110 CM (43-1/4") HEIGHT.

1 LIGHT: UL LISTED. 0.15 WATT, SUBMERSIBLE LED CLUSTER. WITH WATERPROOF ROCKER SWITCH.

TRANSFORMER: UL LISTED. 5V, 100MA, MODEL: GP-SW120DC0100-IP44(US) A, CLASS 2 TRANSFORMER, INPUT: 120V, 60HZ. OUTPUT: 5V, 0.5 WATT. UL: E334265.

FOUNTAIN BODY: PAINTED RESIN IN PLUM BRONZE FINISH, 49.5 CM (19-1/2") WIDTH x 25.4 CM (10") EXTENSION x 78.7 CM (31") HEIGHT. WEIGHT: 19.36 LBS.

COLUMN: PAINTED RESIN IN PLUM BRONZE FINISH, 12.1 CM (4-3/4") WIDTH x 7.5 CM (3") EXTENSION x 10.2 CM (4") HEIGHT. WEIGHT: 1.04 LBS.

PUMP POWER CORD: UL LISTED, FROM PUMP TO PLUG: MIN. 3.3 M (11') LENGTH. 18 AWG., 3 CONDUCTORS, 105°C, TYPE SJTW, WATER PROOF. BLACK COLOR. COPPER MATERIAL. WIRES MUST BE LEAD FREE. COMES WITH MATCHING CORD COVER. CORD COVERS AND CHANNEL ARE PAINED AS PLUM BRONZE FINISH.

LABELS: MANUFACTURING DATE, MODEL # AND COUNTRY OF ORIGIN LABEL PROVIDED. WARNING LABEL FOR PARTS AND PARTS ARROW LABEL WERE STUCK ON INSIDE OF BOX.

PACKAGING AND SHIPPING DETAILS

THE FOUNTAIN AND PUMP ARE CAREFULLY WRAPPED IN A PLASTIC BAG AND PLACED SECURELY IN THE INNER PACKING SO THEY CAN NOT MOVE DURING SHIPPING.

THE CARTON IS MADE OF DOUBLE WALL CORRUGATED CARDBOARD "A MA A". BROWN IN COLOR. THE INNER PACKING IS DIE-CUT CARDBOARD AND/OR STYROFOAM SUFFICIENT TO PROTECT AND SECURE THE FOUNTAIN AND MUST PASS THE FEDEX AND ISTA-3A DROP TEST REQUIREMENTS.

EACH CARTON SHALL BE PRINTED WITH A LINE DRAWING AND THE KENROY HOME NAME AND LOGO, MODEL NUMBER AND FINISH, EACH CARTON SHALL BE PROVIDED A UPC LABEL. THE UPC BAR CODE AS FOLLOWS: PLBZ=053392984106.

OTHER DETAILS

MODEL 51011PLBZ INSTRUCTIONS ARE TO BE PACKED WITH EACH FOUNTAIN. INSTRUCTIONS MUST BE PRINTED CLEARLY ON QUALITY PAPER.

ALL VISIBLE RESIN PARTS MUST MATCH FOUNTAIN FINISH UNLESS OTHERWISE SPECIFIED.

ALL BAGS MUST BE LABELED WITH OFFICIAL "THIS BAG IS NOT A TOY" STATEMENT.

WE REQUIRED THAT A COLOR PIGMENT CLOSE TO THE FINISH COLOR OF THE FOUNTAIN MUST BE MIXED INTO THE RESIN/MATERIAL PRIOR TO THE MOLD COMPLETION. THIS IS TO ASSURE IF WE HAVE ANY PEELING OF PAINT THE RESIN IS THE SAME COLOR AS THE FINISH OF THIS ITEM.

EACH FOUNTAIN SHOULD HAVE A PIGMENT COLOR REFERENCE CHIP FOR THE UNPAINTED GOODS FOR INSPECTION.

ASSEMBLY TIME: 15 MINUTES.

THIS FOUNTAIN RATED FOR OUTDOOR USE.

DIMS OF BOX: 85 (33-1/2") LENGTH x 32.1 CM (12-5/8") WIDTH x 53.6 CM (21-1/8") HEIGHT. (CUFT.: 5.17')

NET WEIGHT: 16.8 LBS. GROSS WEIGHT: 24 LBS.

| | | | | | |
|--|---|-------------|-----------------|-----------------------|--------------|
| KENROY HOME 3723 Regent Boulevard JACKSONVILLE, FL. 32224 PHONE: 904-642-4340 FAX: 904-642-4150 | THIS DOCUMENT AND THE INFORMATION THAT IT DISCLOSES IS THE EXCLUSIVE PROPERTY OF KENROY HOME. ANY REPRODUCTION OR USE OF THIS DRAWING IN PART OR IN WHOLE, WITHOUT THE EXPRESS CONSENT OF THE PROPRIETOR IS PROHIBITED. © 2018 KENROY HOME. | | | REVISION DATE: | MODEL #: |
| | DATE: 1/8/2018 | SCALE: NONE | DRAWN BY: ARVIN | REVISION DATE: | 51011PLBZ |
| | REFERENCE: SAN PABLO WALL FOUNTAIN | APPROVAL: | REVISION DATE: | FINISHES: PLUM BRONZE | PAGE: 2 OF 2 |
| | | | | | |