

PRODUCT SPECIFICATIONS

OVERALL ASSEMBLED DIMENSIONS

HEIGHT: 86.4 CM (34"), WIDTH: 86.4 CM (34"), EXTENSION: 3.2 CM (1-1/4").

- FRAME:** PAINTED PU FRAME (ANTIQUE SILVER FINISH), 86.4 CM (34") WIDTH x 86.4 CM (34") HEIGHT. (2) BRACKETS INSTALLED ON BACK OF FRAME.
- MIRROR:** BEVELED SILVER BACKED GLASS MIRROR, 2.5 CM (1") BEVEL, 43.8 CM (17-1/4") DIA. x 5 MM THICKNESS.
- LABELS:** MANUFACTURING DATE, MODEL # AND COUNTRY OF ORIGIN LABEL PROVIDED ON BACK OF FRAME.

PACKAGING AND SHIPPING DETAILS

- THE MIRROR IS ASSEMBLED FOR SHIPPING. THE MIRROR IS CAREFULLY WRAPPED IN A PLASTIC BAG AND PLACED SECURELY IN THE INNER PACKING SO IT CAN NOT MOVE AROUND DURING SHIPPING.
- THE CARTON IS MADE OF DOUBLE WALL, CORRUGATED CARDBOARD "A MA A". BROWN IN COLOR. THE INNER PACKING IS DIE-CUT CARDBOARD OR STYROFOAM TO PROTECT AND SECURE THE MIRROR AND MUST PASS THE FEDEX AND ISTA-3A DROP TEST REQUIREMENTS.
- EACH CARTON SHALL BE PRINTED WITH A LINE DRAWING AND THE KENROY HOME NAME AND LOGO, MODEL NUMBER, EACH CARTON SHALL BE PROVIDED A UPC LABEL. THE UPC BAR CODE AS FOLLOWS: 053392049058.

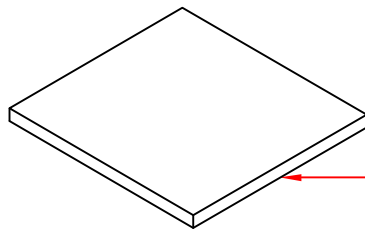
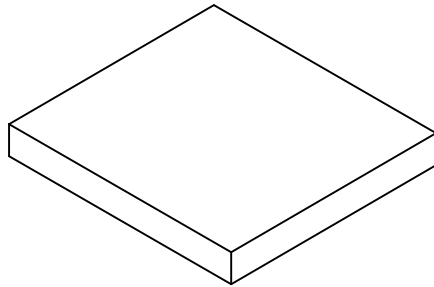
OTHER DETAILS

- MODEL 60041 INSTRUCTIONS NEED TO BE PACKED WITH EACH MIRROR. INSTRUCTIONS MUST BE PRINTED CLEARLY ON QUALITY PAPER.
- ALL BAGS MUST BE LABELED WITH OFFICIAL "THIS BAG IS NOT A TOY" STATEMENT.
- DIMS OF BOX: 99.7 CM (39-1/4") LENGTH x 99.7 CM (39-1/4") WIDTH x 10.2 CM (4") HEIGHT. (CUFT.: 3.57')
- NET WEIGHT: 9.7 LBS. GROSS WEIGHT: 15.5 LBS.

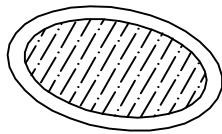
KENROY HOME 3723 Regent Boulevard JACKSONVILLE, FL. 32224 PHONE: 904-642-4340 FAX: 904-642-4150	THIS DOCUMENT AND THE INFORMATION THAT IT DISCLOSES IS THE EXCLUSIVE PROPERTY OF KENROY HOME. ANY REPRODUCTION OR USE OF THIS DRAWING IN PART OR IN WHOLE, WITHOUT THE EXPRESS CONSENT OF THE PROPRIETOR IS PROHIBITED. © 2010 KENROY HOME.			REVISION DATE: 5/5/10 add note	MODEL #: 60041
	DATE: 3/11/2010	SCALE: NONE	DRAWN BY: JAMES	REVISION DATE: 7/16/2012 change box	FINISHES: ANTIQUE SILVER
	REFERENCE: FRANCISCO WALL MIRROR	APPROVAL:	REVISION DATE: 5/14/2013 add package drawing	REVISION DATE:	PAGE: 1 OF 1
				REVISION DATE:	

MODEL: 60041

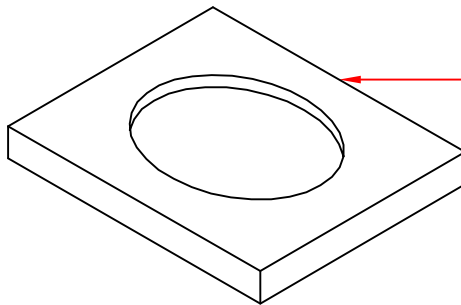
PACKING DIAGRAM



← STYROFOAM: 12 KGS.



← MIRROR



← STYROFOAM: 12 KGS.

