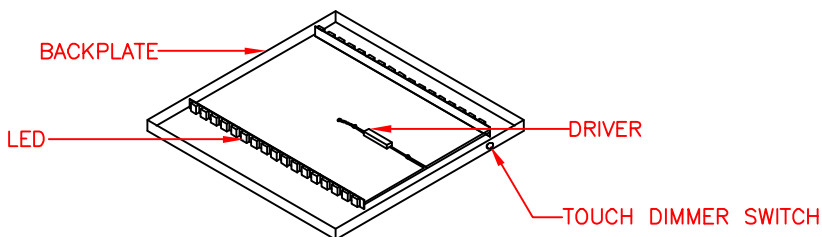
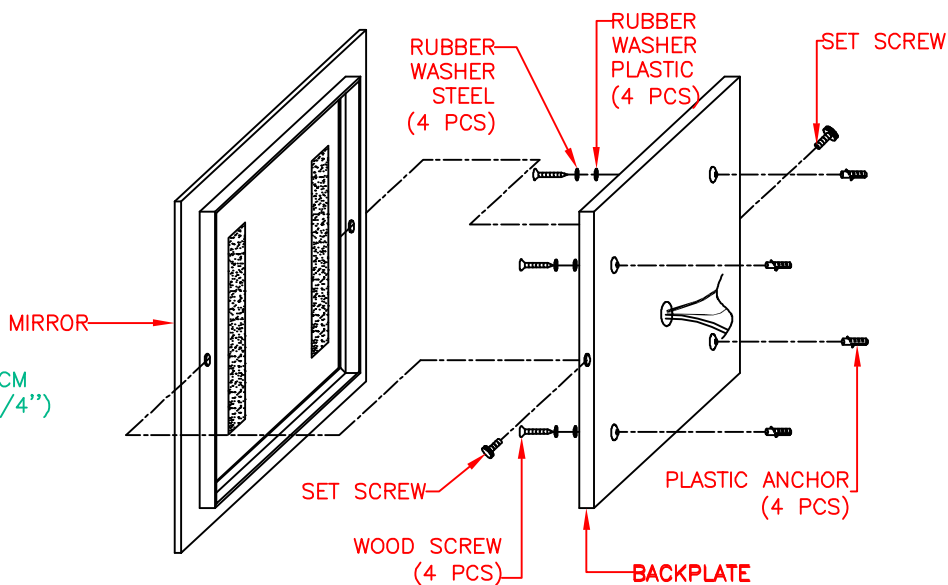


FRONT VIEW



PRODUCT SPECIFICATIONS

OVERALL ASSEMBLED DIMENSIONS

HEIGHT: 66 CM (25-7/8"), WIDTH: 81 CM (31-7/8"), EXTENSION: 4.2 CM (1-13/16").

2 LIGHT CLUSTERS: UL LISTED. 17W, LED 5050. 62LEDs/m 3 LED BULBS (CCT=3200-3500K) INCLUDED. LIGHT OUTPUT:1296-1490), 1440-1656LM.

MIRROR: SILVER BACKED GLASS MIRROR, 4 MM THICKNESS, 66 CM (25-5/8") WIDTH x 81 CM (31-7/8") HEIGHT.

BACKPLATE: PAINTED METAL (WHITE FINISH), 61 CM (24") LENGTH x 61 CM (24") WIDTH x 3 CM (1-1/2") HEIGHT.

DRIVER: UL LISTED, 100-240V. 50/60Hz, OUTPUT:24Vdc 830mA MAX. 20W ; MODEL: LD020H-VU08324-15CUL, UL:E345001.

SUPPLY WIRE: UL LISTED. 18 AWG, 105°C, MUST EXTEND A MINIMUM OF 30 CM (11-3/4") PAST CENTER OF BACKPLATE. WIRES MUST BE LEAD FREE.

LABELS: MANUFACTURING DATE, MODEL # AND COUNTRY OF ORIGIN LABEL PROVIDED.

PACKAGING AND SHIPPING DETAILS

ALL PARTS ARE SECURED SO THEY CAN NOT MOVE DURING SHIPPING. ENTIRE FIXTURE IS COVERED IN A CLOSED PLASTIC BAG WITH A SMALL BAG OF SILICA GEL INSIDE.

THE CARTON IS MADE OF DOUBLE WALL, CORRUGATED CARDBOARD "A MA A". BROWN IN COLOR. THE INNER PACKING IS DIE-CUT CARDBOARD OR STYROFOAM TO PROTECT AND SECURE THE LAMP AND MUST PASS THE FEDEX AND ISTA-3A DROP TEST REQUIREMENTS.

EACH CARTON SHALL BE PRINTED WITH A LINE DRAWING AND THE KENROY HOME NAME AND LOGO, MODEL NUMBER AND FINISH, EACH CARTON SHALL BE PROVIDED A UPC LABEL. THE UPC BAR CODE AS FOLLOWS: 053392121853.

OTHER DETAILS

MODEL 90731 INSTRUCTIONS ARE TO BE PACKED WITH EACH MIRROR. INSTRUCTIONS MUST BE PRINTED CLEARLY ON QUALITY PAPER.

ALL BAGS MUST BE LABELED WITH OFFICIAL "THIS BAG IS NOT A TOY" STATEMENT.

DIMS OF BOX: 95.5 CM (37-5/8") LENGTH x 8.5 CM (3-3/8") WIDTH x 78.5 CM (30-7/8") HEIGHT.(CUFT.: 2.25')

NET WEIGHT: 24.6 LBS. GROSS WIEGHT: 32.56 LBS.

ASSEMBLY TIME: 15 MINUTES.

KENROY HOME 3723 Regent Boulevard JACKSONVILLE, FL. 32224 PHONE: 904-642-4340 FAX: 904-642-4150	THIS DOCUMENT AND THE INFORMATION THAT IT DISCLOSES IS THE EXCLUSIVE PROPERTY OF KENROY HOME. ANY REPRODUCTION OR USE OF THIS DRAWING IN PART OR IN WHOLE, WITHOUT THE EXPRESS CONSENT OF THE PROPRIETOR IS PROHIBITED. © 2015 KENROY HOME.			REVISION DATE:	MODEL #:
				REVISION DATE:	90731
	DATE: 1/6/2015	SCALE: NONE	DRAWN BY: JAY	REVISION DATE:	FINISHES:
	REFERENCE: RIFLETTA 2LT LED MIRROR LG		APPROVAL:	REVISION DATE:	PAGE: 1 OF 1