

PRODUCT SPECIFICATIONS

OVERALL ASSEMBLED DIMENSIONS

HEIGHT: 22.2 CM (8-3/4") (MOUNTED AS FLUSHMOUNT),
 HEIGHT: 30.5 CM (12") (MOUNTED AS SEMI-FLUSH),
 WIDTH: 33.7 CM (13-1/4") DIA.

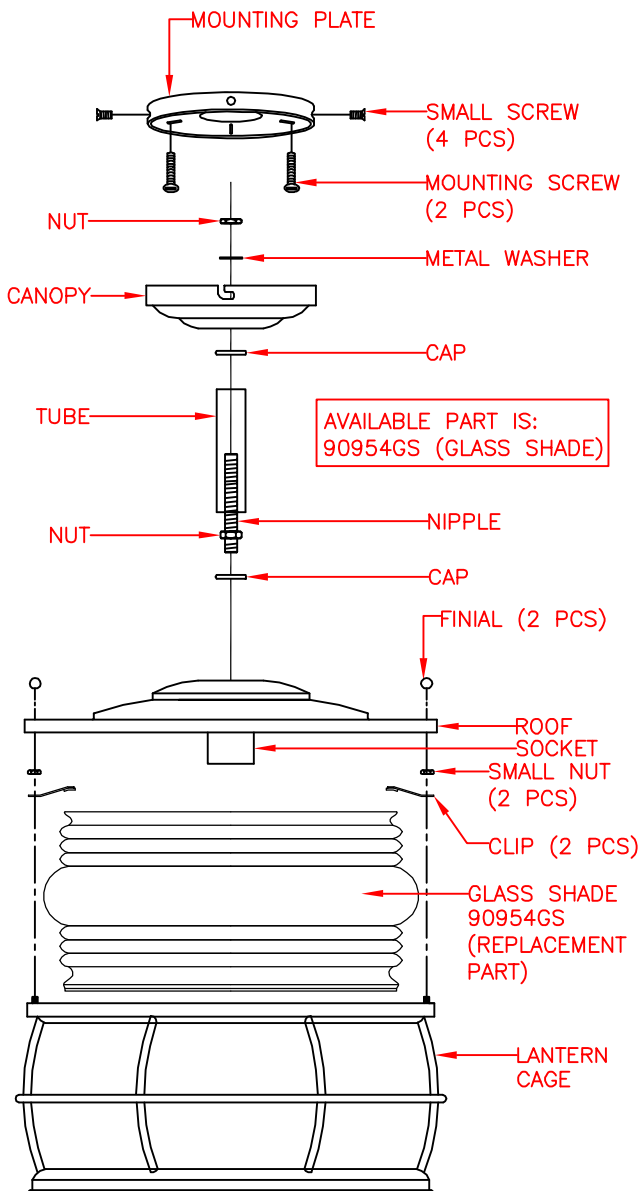
- 1 LIGHT:** UL LISTED. 100 WATT. MEDIUM BASE E-26 CERAMIC SOCKET.
- CANOPY:** PAINTED STEEL, 13 CM (5-1/8") DIA. x 3.3 CM (1-1/4") HEIGHT. SHAPED AS SHOWN.
- TUBE:** PAINTED STEEL, 1.9 CM (3/4") DIA. x 9.5 CM (3-3/4") HEIGHT.
- ROOF:** PAINTED STEEL, 31.6 CM (12-7/16") DIA. MAX. x 4 CM (1-9/16") HEIGHT, SHAPED AS SHOWN.
- LANTERN CAGE:** PAINTED STEEL, 33 CM (13") DIA. MAX. x 14.6 CM (5-3/4") HEIGHT, SHAPED AS SHOWN.
- GLASS SHADE:** CLEAR RIBBED GLASS SHADE, 27.8 CM (10-15/16") DIA. MAX. x 13.8 CM (5-7/16") HEIGHT, SHAPED AS SHOWN.
- SUPPLY WIRE:** UL LISTED. 18 AWG, 150°C, MUST EXTEND A MINIMUM OF 183 CM (6") FROM CENTER OF CANOPY, BLACK/WHITE COLOR, COPPER MATERIAL. WIRES MUST BE LEAD FREE.
- LABELS:** UL AND CSA OR CUL, WARNING LABEL FOR PARTS, PARTS ARROW LABEL, MANUFACTURING DATE, MODEL # AND COUNTRY OF ORIGIN LABEL PROVIDED. RELAMPING LABEL FOR 100 WATT MAX. TYPE "A" BULB PROVIDED ON SOCKET.

PACKAGING AND SHIPPING DETAILS

- THE FIXTURE IS ASSEMBLED AS FLUSHMOUNT FOR SHIPPING. EACH PART IS WRAPPED IN A PLASTIC BAG WITH A SMALL BAG OF SILICA AND PACKED IN ITS OWN CARDBOARD CARTON.
- HARDWARE PACK #005 IS PROVIDED. ALL PARTS SHOULD BE SECURED SO THEY CAN NOT MOVE DURING SHIPPING.
- THE CARTON IS MADE OF DOUBLE WALL, CORRUGATED CARDBOARD. EXTERIOR SURFACE OF THE CARDBOARD IS FULL COLOR. THE INNER PACKING IS DIE-CUT CARDBOARD AND/OR MOLDED STYROFOAM SUFFICIENT TO PROTECT AND SECURE THE FIXTURE AND MUST PASS THE ISTA-1A DROP TEST REQUIREMENTS.
- EACH CARTON SHOULD DISPLAY THE HAMPTON BAY NAME AND LOGO, MODEL #, FINISH, A PHOTO OF THE FIXTURE, THE COUNTRY OF ORIGIN AND UPC BAR CODE: 053392121044.

OTHER DETAILS

- MODEL 90954GC INSTRUCTIONS ARE TO BE PACKED WITH EACH FIXTURE. INSTRUCTIONS MUST BE PRINTED CLEARLY ON QUALITY PAPER.
- ALL VISIBLE PARTS MUST MATCH FIXTURE FINISH UNLESS OTHERWISE SPECIFIED.
- ALL BAGS MUST BE LABELED WITH OFFICIAL "THIS BAG IS NOT A TOY" STATEMENT.
- ASSEMBLY TIME: 15 MINUTES.
- THIS LANTERN MUST BE UL APPROVED FOR DAMP LOCATION, THE UL NUMBER IS E314733.
- DIMS OF UNIT BOX: 38 CM (14-15/16") LENGTH x 38 CM (14-15/16") WIDTH x 37 CM (14-1/2") HEIGHT. (CUFT.: 1.89')
- NET WEIGHT: 7.2 LBS. GROSS WEIGHT: 10.7 LBS.



**KENROY
HOME**

3723 Regent Boulevard
 JACKSONVILLE, FL. 32224
 PHONE: 904-642-4340
 FAX: 904-642-4150

THIS DOCUMENT AND THE INFORMATION THAT IT DISCLOSES IS THE EXCLUSIVE PROPERTY OF KENROY HOME. ANY REPRODUCTION OR USE OF THIS DRAWING IN PART OR IN WHOLE, WITHOUT THE EXPRESS CONSENT OF THE PROPRIETOR IS PROHIBITED. © 2016 KENROY HOME.

DATE: 8/9/2016

SCALE: NONE

DRAWN BY: HENRY

REFERENCE: BEACON 1 LIGHT CONV SEMI FLUSH

APPROVAL:

REVISION DATE:

MODEL #:

REVISION DATE:

90954GC

REVISION DATE:

FINISHES:
GILDED COPPER

REVISION DATE:

PAGE: 1 OF 1