

# PRODUCT SPECIFICATIONS

## OVERALL ASSEMBLED DIMENSIONS

HEIGHT: 141 CM (55-1/2"),  
LENGTH: 122 CM (48"). WIDTH: 23.8 CM (9-3/8").

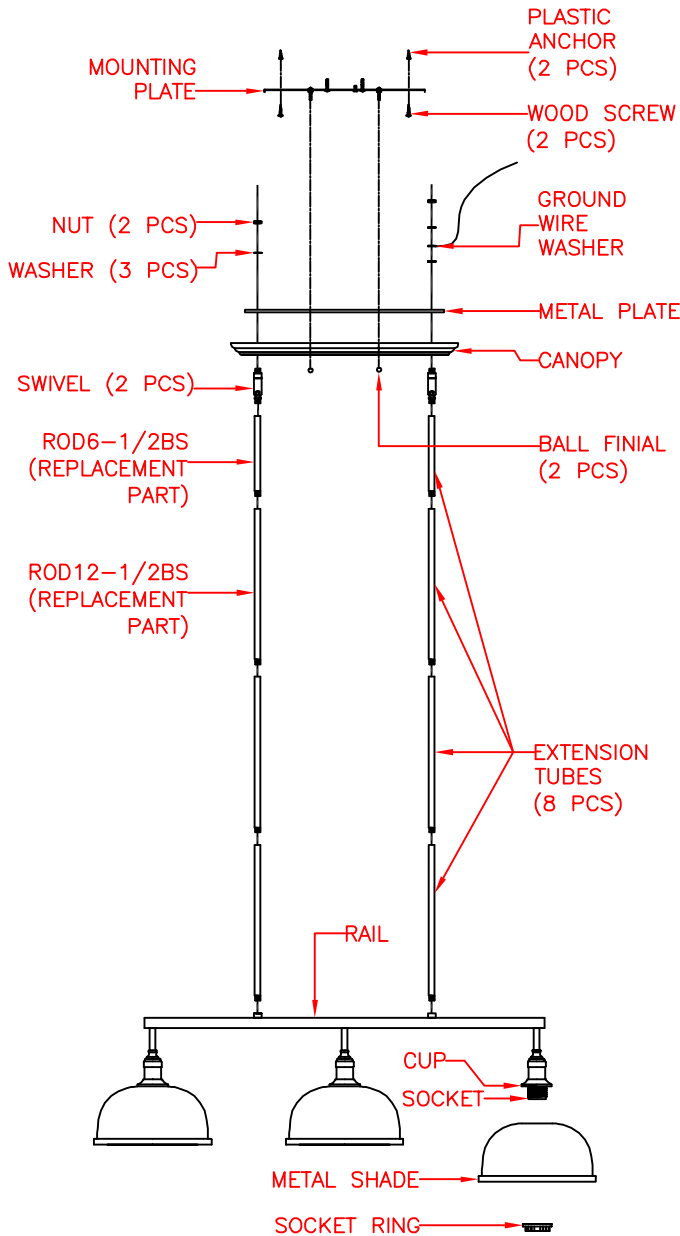
- 3 LIGHTS:** UL LISTED. 100 WATT. MEDIUM BASE E-26 CERAMIC SOCKET WITH OUTSIDE THREADS. (3) METAL SOCKET RINGS ARE PROVIDED.
- EXTENSION TUBES:** PLATED STEEL, 1.2 CM (1/2") DIA. TUBING, (8) PIECES PROVIDED, (2) 15.2 CM (6") LENGTH, (6) 30.5 CM (12") LENGTH.
- CANOPY:** PLATED STEEL, 46 CM (18-1/8") LENGTH x 11.6 CM (4-9/16") WIDTH x 2.3 CM (7/8") HEIGHT. (2) HOLES IN CANOPY FOR MOUNTING SCREWS TO PASS THROUGH. SHAPED AS SHOWN.
- RAIL:** PLATED STEEL, 2.5 CM (1") SQ. TUBING, 101.5 CM (40") LENGTH.
- CUP:** PLATED STEEL, 6.2 CM (2-7/16") DIA. x 5.6 CM (2-1/4") HEIGHT. SHAPED AS SHOWN.
- METAL SHADE:** PLATED STEEL IN BS FINISH ON OUTSIDE OF SHADE, PAINTED STEEL IN WHITE FINISH ON INSIDE OF SHADE, 23.8 CM (9-3/8") DIA. x 11.8 CM (4-5/8") HEIGHT. SHAPED AS SHOWN.
- SUPPLY WIRE:** UL LISTED. 2 PIECES, 18 AWG, 200', MUST EXTEND A MINIMUM OF 305 CM (10 FT.) PAST CENTER OF CANOPY, COPPER MATERIAL. WIRES MUST BE LEAD FREE.
- LABELS:** UL, CSA OR CUL, MANUFACTURING DATE, MODEL # AND COUNTRY OF ORIGIN LABELS PROVIDED IN CANOPY. RELAMPING LABEL FOR 100 WATT MAX. TYPE "A" BULB PROVIDED ON INSIDE OF METAL SHADE.

## PACKAGING AND SHIPPING DETAILS

- THE ITEM IS DISASSEMBLED FOR SHIPPING AS SHOWN. EACH PART IS SECURED SO THEY CAN NOT MOVE DURING SHIPPING.
- HARDWARE PACK #003 AND MOUNTING PLATE, (2) PLASTIC ANCHORS AND (2) WOOD SCREWS PROVIDED. ENTIRE FIXTURE IS COVERED IN A CLOSED PLASTIC BAG WITH A SMALL BAG OF SILICA INSIDE.
- THE CARTON IS MADE OF DOUBLE WALL CORRUGATED CARDBOARD "A MA A". BROWN IN COLOR. THE INNER PACKING IS DIE-CUT CARDBOARD OR STYROFOAM TO PROTECT AND SECURE THE FIXTURE AND MUST PASS THE FEDEX AND ISTA-3A DROP TEST REQUIREMENTS.
- EACH CARTON SHALL BE PRINTED WITH A LINE DRAWING AND THE KENROY HOME NAME AND LOGO, MODEL NUMBER AND FINISH, EACH CARTON SHALL BE PROVIDED A UPC LABEL. THE UPC BAR CODE AS FOLLOWS: BS=053392041519.

## OTHER DETAILS

- ALL METAL PARTS MUST MATCH FINISH UNLESS OTHERWISE SPECIFIED.
- MODEL 91617BS INSTALLATION INSTRUCTIONS ARE TO BE PACKED WITH FIXTURE, AND BE PRINTED CLEARLY ON QUALITY PAPER.
- ALL BAGS MUST BE LABELED WITH OFFICIAL "THIS BAG IS NOT A TOY" STATEMENT.
- ASSEMBLY TIME: 20 MINUTES.
- DIMS OF UNIT BOX: 108.5 CM (42-11/16") LENGTH x 28.5 CM (11-1/4") WIDTH x 17 CM (6-11/16") HEIGHT.
- NET WEIGHT: 7.7 LBS. GROSS WEIGHT: 11.4 LBS.
- THE UL NUMBER IS E314733.



AVAILABLE PARTS ARE:  
ROD6-1/2BS (6" EXTENSION TUBE)  
ROD12-1/2BS (12" EXTENSION TUBE)

<b>KENROY HOME</b> 3723 Regent Boulevard JACKSONVILLE, FL. 32224 PHONE: 904-642-4340 FAX: 904-642-4150	THIS DOCUMENT AND THE INFORMATION THAT IT DISCLOSES IS THE EXCLUSIVE PROPERTY OF KENROY HOME. ANY REPRODUCTION OR USE OF THIS DRAWING IN PART OR IN WHOLE, WITHOUT THE EXPRESS CONSENT OF THE PROPRIETOR IS PROHIBITED. © 2010 KENROY HOME.			REVISION DATE: 5/10/2013 add package drawing	MODEL #: <b>91617</b>
	DATE: 1/18/2009	SCALE: NONE	DRAWN BY: JAMES	REVISION DATE: 9/22/2015 add notes	FINISHES: <b>BS</b>
	REFERENCE: ALICE 3LT. ISLAND	APPROVAL:	REVISION DATE: 8/29/2016 change specification	REVISION DATE: 8/29/2016 change specification	PAGE: 1 OF 1
				REVISION DATE:	