

PRODUCT SPECIFICATIONS

OVERALL ASSEMBLED DIMENSIONS

HEIGHT: 36.1 CM (14-1/4"). WIDTH: 40.3 CM (15-7/8"), EXTENSION: 12.9 CM (5-1/8").

2 LIGHTS: UL LISTED. 60 WATT. MEDIUM BASE E-26 CERAMIC SOCKETS WITH STEEL COVER. (2) WHITE METAL SOCKET RINGS INCLUDED.

CANOPY: PAINTED STEEL, 12 CM (4-3/4") DIA. x 2 CM (3/4") HEIGHT. (2) HOLES IN CANOPY FOR MOUNTING SCREWS TO PASS THROUGH.

SUPPLY WIRE: UL LISTED. 18 AWG, 150°C, MUST EXTEND A MINIMUM OF 305 CM (10 FEET.) FROM SOCKET, BLACK AND WHITE CORDS, COPPER MATERIAL, WIRES MUST BE LEAD FREE.

EXTENSION TUBES: PAINTED STEEL, 1.2 CM (1/2") DIA. TUBING, (4) PIECES PROVIDED, (1) 15.2 CM (6") LENGTH, (3) 30.5 CM (12") LENGTH.

CUP: PAINTED STEEL, 6 CM (2-3/8") DIA. x 3 CM (1-1/8") LENGTH. SHAPED AS SHOWN.

METAL FRAME: PAINTED STEEL, 1.2 CM (1/2") DIA. TUBING. 10.5 CM (4-1/8") WIDTH, x 21.3 CM (8-3/8") HEIGHT. SHAPED AS SHOWN.

GLASS SHADES: BLOWING WHITE OPAL GLASS SHADE, 13 CM (5-1/8") DIA. MAX. x 13.5 CM (5-3/8") HEIGHT. SHAPED AS SHOWN.

LABELS: ETL, MANUFACTURE DATE, MODEL # AND COUNTRY OF ORIGIN LABELS PROVIDED ON INSIDE OF CANOPY. WARNING LABEL FOR PARTS AND PARTS ARROW LABEL WERE STUCK ON INSIDE OF BOX. RELAMPING LABEL FOR 60 WATT TYPE "A" BULB PROVIDED NEAR SOCKET.

PACKAGING AND SHIPPING DETAILS

THE ITEM IS DISASSEMBLED FOR SHIPPING AS SHOWN. EACH PART IS SECURED SO THEY CAN NOT MOVE DURING SHIPPING.

HARDWARE PACK #005 PROVIDED. ENTIRE FIXTURE IS COVERED IN A CLOSED PLASTIC BAG WITH A SMALL BAG OF SILICA INSIDE.

THE CARTON IS MADE OF DOUBLE WALL CORRUGATED CARDBOARD "A MA A". BROWN IN COLOR. THE INNER PACKING IS DIE-CUT CARDBOARD OR STYROFOAM TO PROTECT AND SECURE THE FIXTURE AND MUST PASS THE FEDEX AND ISTA-3A DROP TEST REQUIREMENTS

EACH CARTON SHALL BE PRINTED WITH A LINE DRAWING AND THE KENROY HOME NAME AND LOGO, MODEL NUMBER AND FINISH, EACH CARTON SHALL BE PROVIDED A UPC LABEL. THE UPC BAR CODE AS FOLLOWS: 053392132347.

OTHER DETAILS

ALL METAL PARTS MUST MATCH FINISH UNLESS OTHERWISE SPECIFIED

MODEL 93872BL INSTALLATION INSTRUCTIONS ARE TO BE PACKED WITH FIXTURE, AND BE PRINTED CLEARLY ON QUALITY PAPER.

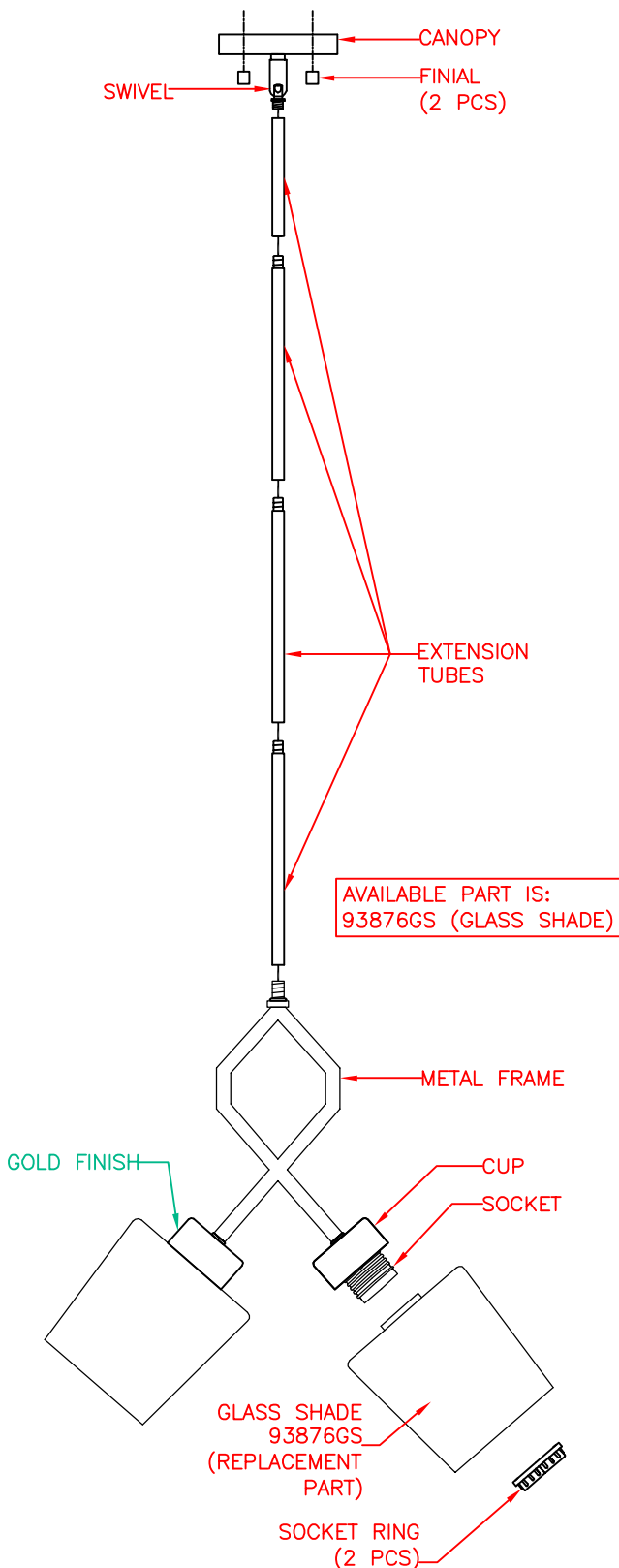
ALL BAGS MUST BE LABELED WITH OFFICIAL "THIS BAG IS NOT A TOY" STATEMENT.

ASSEMBLY TIME: 10 MINUTES.

THE ETL NUMBER IS 4010449.

DIMS OF BOX: 36 CM (14-3/16") LENGTH x 28 CM (11") WIDTH x 30 CM (11-13/16") HEIGHT. (CUFT.: 1.07")

NET WEIGHT: 3.4 LBS. GROSS WEIGHT: 6.2 LBS.



KENROY HOME

3723 Regent Boulevard
JACKSONVILLE, FL. 32224
PHONE: 904-642-4340
FAX: 904-642-4150

THIS DOCUMENT AND THE INFORMATION THAT IT DISCLOSES IS THE EXCLUSIVE PROPERTY OF KENROY HOME. ANY REPRODUCTION OR USE OF THIS DRAWING IN PART OR IN WHOLE, WITHOUT THE EXPRESS CONSENT OF THE PROPRIETOR IS PROHIBITED. © 2017 KENROY HOME.

DATE: 4/11/2017

SCALE: NONE

DRAWN BY: HENRY

REFERENCE: DRAPER 2 LIGHT PENDANT

APPROVAL:

REVISION DATE:

MODEL #:

REVISION DATE:

93872BL

REVISION DATE:

FINISHES:
MATTE BLACK

REVISION DATE:

PAGE: 1 OF 1