

PRODUCT SPECIFICATIONS

OVERALL ASSEMBLED DIMENSIONS

HEIGHT: 25.5 CM (10"). WIDTH: 13.3 CM (5-1/4") DIA.

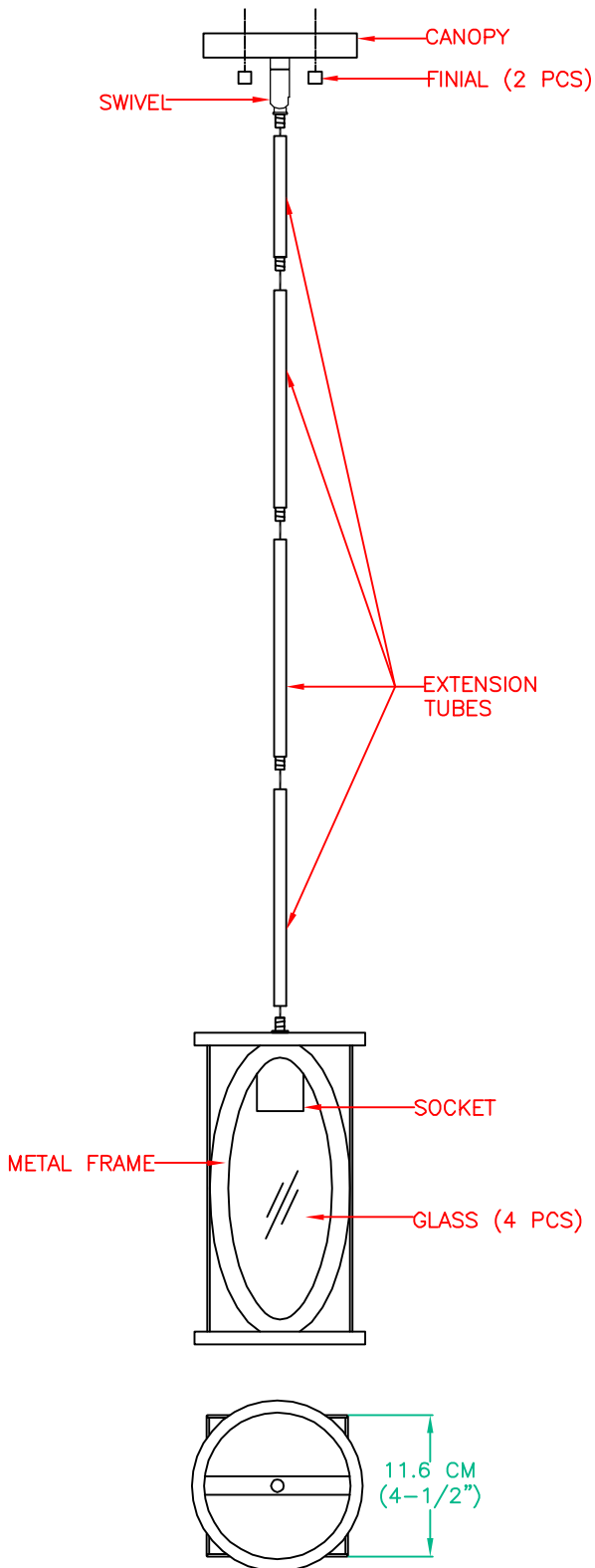
- 1 LIGHT:** UL LISTED. 120V, 60HZ, 60 WATT. MEDIUM BASE E-26 CERAMIC SOCKET WITH STEEL COVER. THE SOCKET COVER SHOULD BE LONG ENOUGH TO COVER THE BULB BASE.
- CANOPY:** PAINTED STEEL IN OIL RUBBED BRONZE FINISH, 12 CM (4-3/4") DIA. x 2 CM (3/4") HEIGHT. (2) HOLES IN CANOPY FOR MOUNTING SCREWS TO PASS THROUGH.
- SUPPLY WIRE:** UL LISTED. 18 AWG, 150°C, MUST EXTEND A MINIMUM OF 305 CM (10 FEET.) FROM SOCKET, BLACK AND WHITE CORDS, COPPER MATERIAL, WIRES MUST BE LEAD FREE.
- EXTENSION TUBES:** PAINTED STEEL IN OIL RUBBED BRONZE FINISH, 11.7 MM (1/2") DIA. TUBING, (4) PIECES PROVIDED, (1) 15.2 CM (6") LENGTH, (3) 30.5 CM (12") LENGTH.
- METAL FRAME:** PAINTED STEEL IN OIL RUBBED BRONZE FINISH, 13.3 CM (5-1/4") DIA. x 25.5 CM (10") HEIGHT. SHAPED AS SHOWN.
- GLASS:** CLEAR GLASS PANEL, 10.3 CM (4") WIDTH x 23.3 CM (9-1/8") HEIGHT. SHAPED AS SHOWN.
- LABELS:** ETL, MANUFACTURING DATE, MODEL # AND COUNTRY OF ORIGIN LABELS PROVIDED INSIDE CANOPY. RELAMPING LABEL FOR 60 WATT MAX. TYPE "A" BULB PROVIDED ON SOCKET.

PACKAGING AND SHIPPING DETAILS

- THE ITEM IS DISASSEMBLED FOR SHIPPING AS SHOWN. EACH PART IS SECURED SO THEY CAN NOT MOVE DURING SHIPPING.
- HARDWARE PACK #005 PROVIDED. ENTIRE FIXTURE IS COVERED IN A CLOSED PLASTIC BAG WITH A SMALL BAG OF SILICA INSIDE.
- THE CARTON IS MADE OF DOUBLE WALL CORRUGATED CARDBOARD "A MA A". BROWN IN COLOR. THE INNER PACKING IS DIE-CUT CARDBOARD OR STYROFOAM TO PROTECT AND SECURE THE FIXTURE AND MUST PASS THE FEDEX AND ISTA-3A DROP TEST REQUIREMENTS.
- EACH CARTON SHALL BE PRINTED WITH A LINE DRAWING AND THE KENROY HOME NAME AND LOGO, MODEL NUMBER AND FINISH, EACH CARTON SHALL BE PROVIDED A UPC LABEL. THE UPC BAR CODE AS FOLLOWS: 053392987879.

OTHER DETAILS

- ALL METAL PARTS MUST MATCH FINISH UNLESS OTHERWISE SPECIFIED.
- MODEL 94111ORB INSTALLATION INSTRUCTIONS ARE TO BE PACKED WITH FIXTURE, AND BE PRINTED CLEARLY ON QUALITY PAPER.
- ALL BAGS MUST BE LABELED WITH OFFICIAL "THIS BAG IS NOT A TOY" STATEMENT.
- ASSEMBLY TIME: 5 MINUTES.
- THE ETL NUMBER IS 4010449.
- DIMS OF BOX: 23 CM (9") LENGTH x 23 CM (9") WIDTH x 35 CM (7-3/4") HEIGHT. (CUFT.: 0.65')
- NET WEIGHT: 3.82 LBS. GROSS WEIGHT: 5 LBS.



**KENROY
HOME**

3723 Regent Boulevard
JACKSONVILLE, FL. 32224
PHONE: 904-642-4340
FAX: 904-642-4150

THIS DOCUMENT AND THE INFORMATION THAT IT DISCLOSES IS THE EXCLUSIVE PROPERTY OF KENROY HOME. ANY REPRODUCTION OR USE OF THIS DRAWING IN PART OR IN WHOLE, WITHOUT THE EXPRESS CONSENT OF THE PROPRIETOR IS PROHIBITED. © 2018 KENROY HOME.

DATE: 6/22/2018

SCALE: NONE

DRAWN BY: ARVIN

REFERENCE:
PRINCE 1 LIGHT MINI PENDANT

APPROVAL:

REVISION DATE:

REVISION DATE:

REVISION DATE:

REVISION DATE:

MODEL #:

94111ORB

FINISHES:

OIL RUBBED BRONZE

PAGE: 1 OF 1