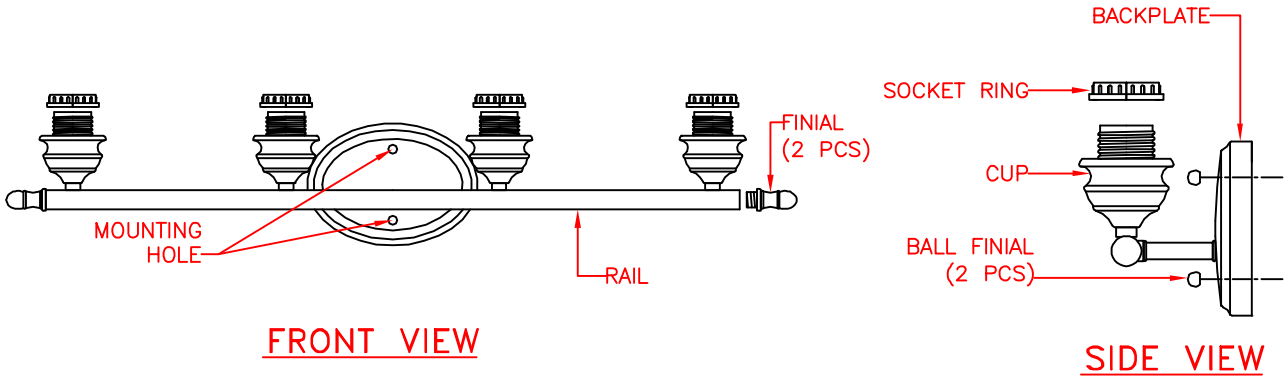


THIS VANITY CAN BE MOUNTED UP OR DOWN



PRODUCT SPECIFICATIONS

OVERALL ASSEMBLED DIMENSIONS

HEIGHT: 12 CM (4-3/4"), WIDTH: 76.1 CM (30"), EXTENSION: 15.2 CM (6").

4 LIGHTS: UL LISTED. 60 WATT. MEDIUM BASE E-26 CERAMIC SOCKET WITH OUTSIDE THREADS. (4) WHITE METAL SOCKET RINGS PROVIDED.

BACKPLATE: PAINTED STEEL, 16.8 CM (6-5/8") LENGTH. x 12 CM (4-3/4") WIDTH x 2.5 CM (1") HEIGHT. TWO HOLES IN BACKPLATE FOR MOUNTING SCREWS TO PASS THROUGH. SHAPED AS SHOWN.

CUP: PAINTED STEEL, 6.5 CM (2-5/8") DIA. x 4.7 CM (1-7/8") HEIGHT, SOCKETS NEED TO BE BETWEEN 3/8" AND 1" ABOVE THE CUP, SHAPED AS SHOWN.

RAIL: PAINTED STEEL, 1.9 CM (3/4") DIA. TUBING, SHAPED AS SHOWN.

SUPPLY WIRE: UL LISTED. 18 AWG, 150', MUST EXTEND A MINIMUM OF 15.2 CM (6") PAST CENTER OF BACKPLATE. COPPER MATERIAL. WIRES MUST BE LEAD FREE.

LABELS: UL AND CSA OR CUL, MANUFACTURING DATE, MODEL # AND COUNTRY OF ORIGIN LABELS PROVIDED ON INSIDE OF BACKPLATE, WARNING LABEL FOR PARTS AND PARTS ARROW LABEL WERE STUCK ON INSIDE OF BOX. RELAMPING LABEL FOR 60 WATT TYPE "A" BULB PROVIDED NEAR SOCKET.

PACKAGING AND SHIPPING

THE ITEM IS ASSEMBLED FOR SHIPPING AS SHOWN. THE WHOLE FIXTURE IS SECURED SO THEY CAN NOT MOVE DURING SHIPPING.

HARDWARE PACK #005 PROVIDED. ENTIRE FIXTURE IS COVERED IN A CLOSED PLASTIC BAG WITH A SMALL BAG OF SILICA INSIDE.

THE CARTON IS MADE OF DOUBLE WALL, CORRUGATED CARDBOARD. EXTERIOR SURFACE OF THE CARDBOARD IS FULL COLOR. THE INNER PACKING IS DIE-CUT CARDBOARD AND/OR MOLDED STYROFOAM SUFFICIENT TO PROTECT AND SECURE THE FIXTURE AND MUST PASS THE 18" DROP TEST REQUIREMENTS.

EACH CARTON SHOULD DISPLAY THE FASHION MATCH NAME AND LOGO, MODEL #, FINISH, A PHOTO OF THE FIXTURE, THE COUNTRY OF ORIGIN AND UPC BAR CODE: 053392119928, I2OF5: 10053392119925.

OTHER DETAILS:

ENTIRE BACKPLATE ASSEMBLY MUST SIT FLUSH AGAINST WALL SURFACE.

ALL VISIBLE PARTS MUST MATCH FIXTURE FINISH UNLESS OTHERWISE SPECIFIED.

MODEL FM904ORB INSTRUCTIONS ARE TO BE PRINTED CLEARLY ON QUALITY PAPER AND PACKED WITH EACH FIXTURE.

ALL BAGS MUST BE LABELED WITH OFFICIAL "THIS BAG IS NOT A TOY" STATEMENT.

ASSEMBLY TIME: 10 MINUTES.

THIS ITEM MUST BE UL APPROVED FOR DAMP LOCATION, THE UL NUMBER IS E314733.

DIMS OF COLOR BOX: 17.1 CM (6-3/4") LENGTH x 71.8 CM (28-1/4") WIDTH x 14.6 (5-3/4") HEIGHT. (CUFT.: 0.65')

NET WEIGHT: 2.4 LBS. GROSS WEIGHT: 4.4 LBS.

DIMS OF MASTER BOX: 73.7 CM (29") LENGTH x 53.3 CM (21") WIDTH x 16.5 (6-1/2") HEIGHT. (CUFT.: 2.29') (3 PCS/CTN)

NET WEIGHT: 7.3 LBS. GROSS WEIGHT: 13.2 LBS. (3 PCS/CTN)

KENROY HOME 3723 Regent Boulevard JACKSONVILLE, FL. 32224 PHONE: 904-642-4340 FAX: 904-642-4150	THIS DOCUMENT AND THE INFORMATION THAT IT DISCLOSES IS THE EXCLUSIVE PROPERTY OF KENROY HOME. ANY REPRODUCTION OR USE OF THIS DRAWING IN PART OR IN WHOLE, WITHOUT THE EXPRESS CONSENT OF THE PROPRIETOR IS PROHIBITED. © 2016 KENROY HOME.			REVISION DATE:	MODEL #:
	DATE: 3/21/2016	SCALE: NONE	DRAWN BY: HENRY	REVISION DATE:	FM904ORB
	REFERENCE: ADAMS 4 LIGHT VANITY			REVISION DATE:	FINISH: ORB
				APPROVAL:	PAGE: 1 OF: 1